

19" Wall-Mounting Enclosures



... the perfect shell for valuable electronics



Wall-mounting systems



VARI 2000

beginning on page 2.4

- space saver
- patented enclosure system
- optimum accessibility



VARI industry

beginning on page 2.7

- space saver for industrial use
- optimum assembly and installation conditions
- IP 54



Wall-mounting enclosure 172

beginning on page 2.19

- can be used as a wall-mounting and pivot enclosure
- stainless steel construction available
- IP 65



Wall-mounting enclosure profi set

Page 2.20

- for plug-in components in compliance with IEC 297-3
- with integrated connection box
- IP 30



VARI 500

beginning on page 2.10

- flexible enclosure system for use as:
 - compact enclosure
 - wall-mounting enclosure
 - wall-mounting pivot enclosure
- various functional accessories
- IP 54



Additional wall enclosures

- see Chapter 9 "Network Technology"
- Small LAN cabinet 9.4
- Fibre optics splicing cabinet 9.6
- 10" ecoVARI wall-mounting enclosure . . . 9.9



Customized wall enclosures

beginning on page 2.21

- we develop the optimum wall-mounting solution based on your specific demands



The revolution in wall-mounting enclosure technology

Patented wall-mounting enclosures provide an attractive space-saving enclosure solution for your network cables.

VARI 2000



Sample configuration



vertical 19" mount



optimum access through two-part door (6 U/12 U)



180° opening angle with apra-norm hinges

The Vari 2000 series is the perfect supplement to apra-norm's proven Vari 500 wall-mounting enclosures. It is available in 3, 4, 6 and 12 U.

The precision of this enclosure lies in its design. The 19" mounts are attached vertically to the wall so that the installation area does not jut out into the room. The Vari 2000 enclosure series door ensures complete access through two open sides without swivelling the 19" mount. The door of Vari 2000 3 and 4 U wall-mounting enclosures is a single piece with a window. Sizes 6 and 12 U have double doors; you first open the glass door to access the area in front of the 19" mount and then the second door to access the entire rear cabling area. The combined front and side door can be equipped with different locking systems so that defined access privileges can be assigned.

The apra-norm 180° hinge even allows Vari 2000 enclosures to be installed in corners while still providing a complete 90° opening angle.

19" VARI 2000 wall-mounting enclosure

- stylish enclosure solution
- space-saving
- optimum assembly and installation conditions
- both front and side doors can be folded away
- separate access privileges for front and side doors
- simple air-conditioning options
- can also be installed in a corner or wall recess while allowing full access to the interior
- cable entry with integrated tension relief from above and/or below (and from the side in 12 U enclosures), with a brush
- installation dimensions in compliance with IEC 297-1

Matching 19" plug-in units

see p. 4.1

Matching network components

see p. 9.1



19" VARI 2000 wall-mounting enclosure • 213

Specifications

Application:

space-saving wall-mounting enclosure for network cabling, for example

Construction:

sturdy spot-welded and powder-coated sheet steel

Finish:

RAL 7035 light grey

Standards:

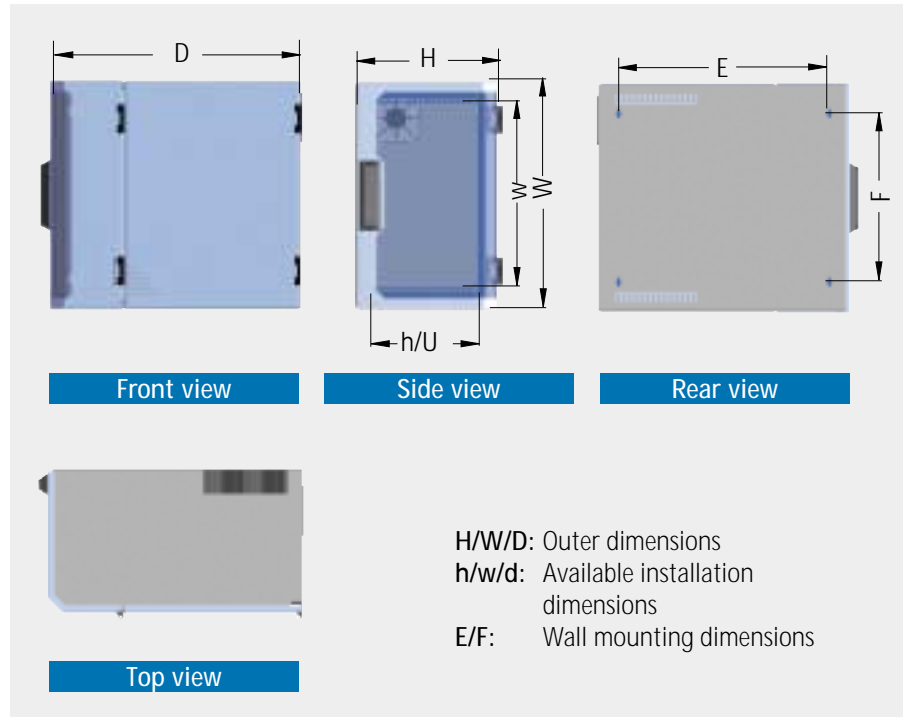
installation dimensions in compliance with IEC 297-1

Delivery:

assembled

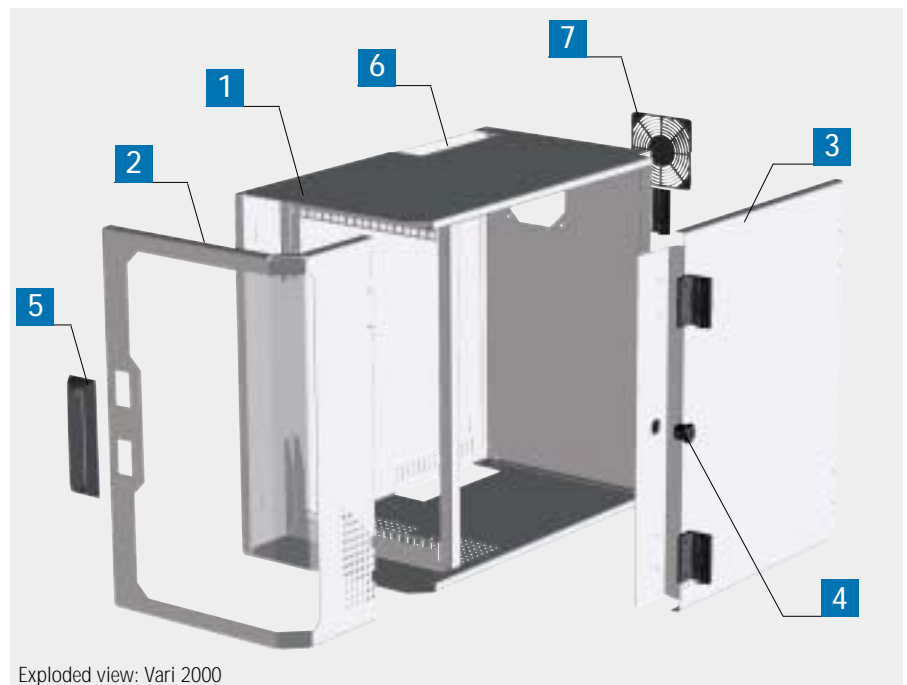
Note:

Both 19" 6 U attachment mounts in 12 U wall-mounting enclosures are arranged 6 U under one another. The height of the enclosure H therefore remains low.



Included in delivery

Item	3 U	4 U	6 U	12 U	Description
1	1	1	1	1	Enclosure chassis
2	1	1	1	1	Door with plexiglass/door, solid
3	-	-	1	1	Door, solid
4	1	1	1	2	Polyamide sash fastener with hook tongue
5	-	-	1	1	Pivoting lever lock
6	2	2	2	4	Brush, W=210 mm
7	1	1	1	1	Fan guard, clip-on, for 119 x 119 fans
8					Assembly material



Order information

Description	Outer dimensions (H x W x D) mm	Available installation dimensions (h x w x d) mm	Wall mounting dimensions (E x F) mm	Part no. enclosure with plexiglass door	Part no. enclosure with sheet steel door
VARI 2000 3 U	185 x 506 x 536	132,5 x 450 x 383	410 x 360	21-3030-00	21-3030-55
VARI 2000 4 U	230 x 506 x 536	177 x 450 x 383	410 x 360	21-3031-00	21-3031-55
VARI 2000 6 U	360 x 557 x 636	267 x 450 x 475	510.5 x 408.5	21-3032-00	21-3032-55
VARI 2000 12 U	360 x 1103 x 636	267 x 2x450 x 475	510.5 x 954.5	21-3034-00	21-3034-55



213 • 19" VARI 2000 wall-mounting enclosure



Accessories

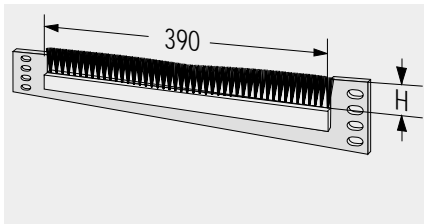
Plug & play module for Vari 2000



- temperature-controlled fan
- power strip, 3 sockets with overvoltage protection
- junction box
- power cord (2.5m) with shock-proof plug
- earthing kit

Part no.
21-3030-41

19" cable entry opening with brush and integrated tension relief

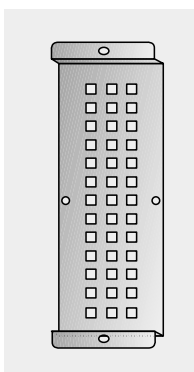


- for cable access behind the 19" mount
- with brush and tension relief rail
- incl. assembly material

Finish: RAL 7035 light grey

U	Height (H) mm	Part no.
1	25	21-3146-00

Vertical tie-bar



- vertical tie-bar for rear panel
- for securing connection boxes or other accessories

Material:
sheet steel,
galvanized

Part no.
21-3030-20

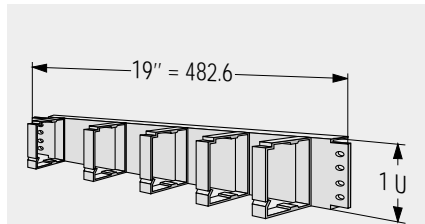
Power strip



- 3 shock-proof sockets
- with overvoltage protection
- connecting cable, 2m
- attaches to the rear wall of the enclosure

Part no.
59-1200-00

19" cable routing piece with 5 cable guides



- for organized horizontal cable routing in the 19" mount
- incl. assembly material

Finish: RAL 7035 light grey

Part no.
21-3145-00

Profile semi-cylinder

- for 6 and 12 U enclosures
- fits locking doors with turning lever lock

Part no.
676-062

Sash handle

- for 3 and 4 U enclosures
- H = 18mm
- fits solid door/rear panel

Part no.
676-197

Shelf, 1 U

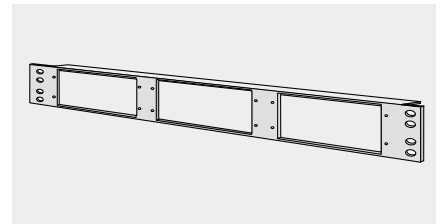


- vertical installation
- for installing components that are **not 19"-compatible**

The mounting kit allows you to secure components; it must be ordered separately.

Description	Part no.
Shelf, vertical	21-3030-22
Mounting kit	21-3030-23

19" front plate, 1 U (3x 8 HP, 3 U)

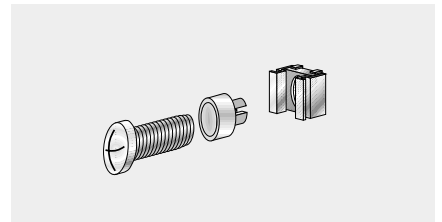


- for installing 3 modules or partial front plates, 3 U, 8 HP
- allows installation of 36 fibre optics connections or 12 fibre optics connections and 12 CAT.6 ports

Finish: RAL 7035 light grey

Description	Part no.
19" front plate 1 U (3 x 8 HP, 3 U)	21-3029-00

M5 screw set



Description	Part no.
Screw set, 50 pc.	630-991

Earthing kit

Part no.
50-0840-00



The wall-mounting enclosure solution for rough industrial use

VARI industry



three-point lock



optimum accessibility from both sides



removable front cover

This stylish enclosure is perfect when used as a compact switch cabinet or when used for network cabling in tough environments. The high IP 54 degree of protection and the stable construction of the enclosure protect your equipment from external influences like dust and moisture.

The enclosure is short since the 19" attachment mounts are arranged vertically. The two side doors, one of which has a plexiglass pane, ensure optimum accessibility to the front and rear of the 19" mount. Upper and lower cable flange plates allow cables to be led into the enclosure.

VARI Industry

- stylish enclosure
- space-saving design
- stable basic construction
- one side with integrated plexiglass pane
- 2 doors with turning lever lock and three-point locking system
- removable front cover
- doors with 180° hinges for optimum accessibility
- profile semi-cylinder lock and key, 5mm
- integrated cable flange plates
- installation dimensions in compliance with IEC 297-1
- integrated outlet filter for fan installation
- IP 54

Matching 19" plug-in units

see p. 4.1

Matching 19" subracks

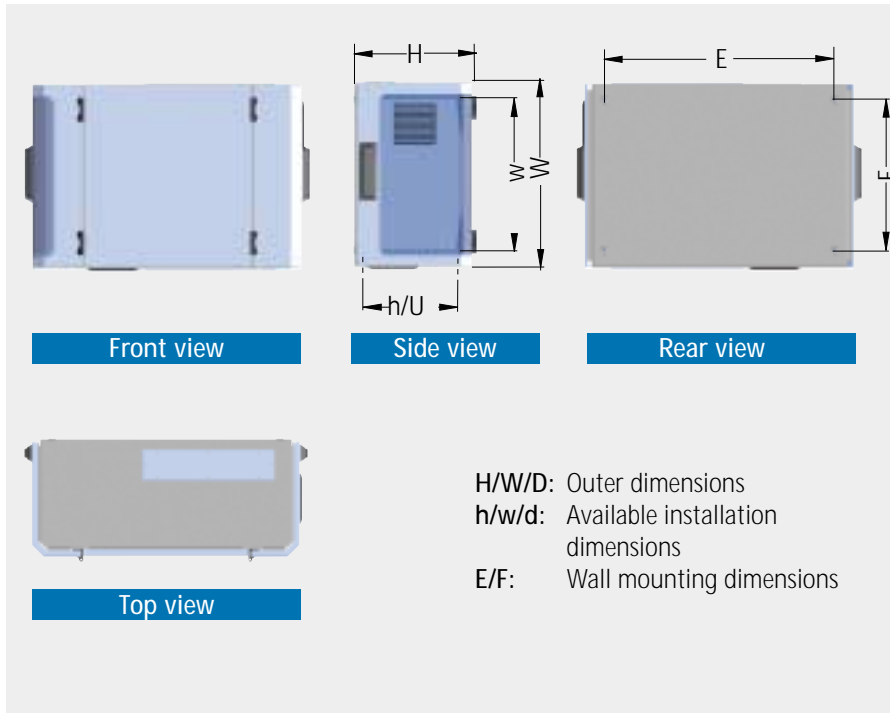
see p. 5.1



306 • 19" VARi industry wall-mounting enclosure



Specifications



Application:

wall-mounting enclosure for tight spaces and unfavourable environmental conditions such as high humidity and dust

Construction:

sturdy spot-welded and powder-coated sheet steel

Finish:

RAL 7035 light grey

Degree of protection:

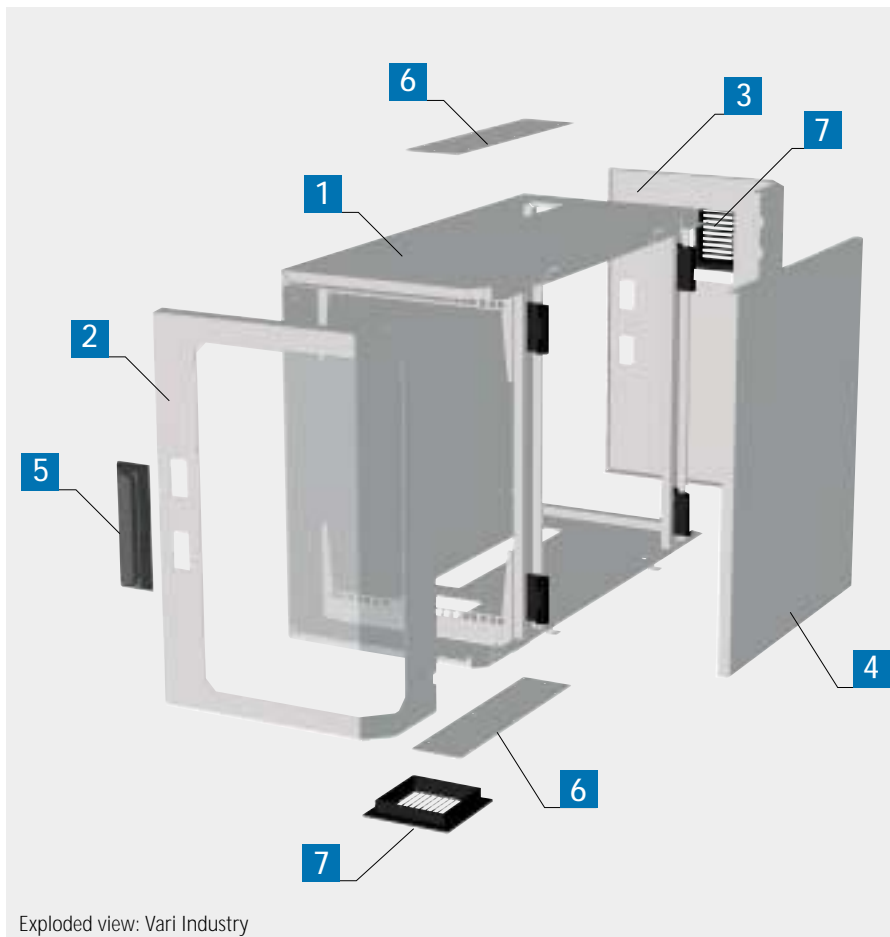
IP 54

Standards:

installation dimensions in compliance with IEC 297-1

Delivery:

assembled



Included in delivery

Item	Pc.	Description
1	1	Enclosure chassis
2	1	Door with plexiglass pane
3	1	Door, solid
4	1	Front cover, removable
5	2	Turning lever locks with 3-point locking system
6	2	Cable flange plates
7	2	Outlet filter, IP 54, for 119mm x 119mm fans
8		Assembly material

Note:

Both 19" 6 U mounts in 12 U wall-mounting enclosures are arranged 6 U under one another. The height of the enclosure H therefore remains low.

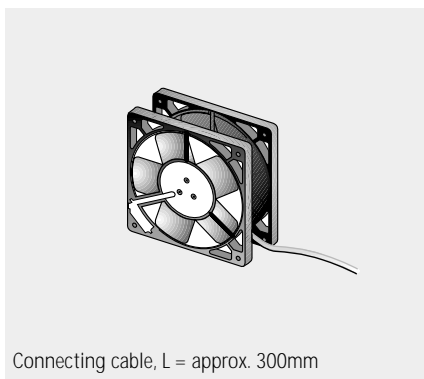


Order information

Description	Outer dimensions (H x W x D) mm	Available installation dimensions (h x w x d) mm	Mounting dimensions (E x F) mm	Part no.
VARI Industry 4 U	275 x 560 x 840	177 x 450 x 650	680 x 450	30-6040-00
VARI Industry 6 U	365 x 560 x 840	267 x 450 x 650	680 x 450	30-6060-00
VARI Industry 12 U	365 x 1110 x 840	267 x 2x450 x 650	680 x 997	30-6120-00

Accessories

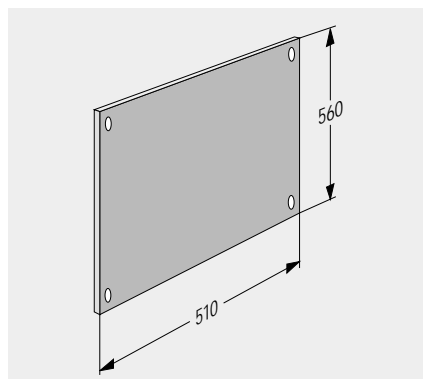
Fan, 230V



- flow rate: 160m³/h
- Noise level: 40dB (A)
- incl. assembly material

Dimensions mm	Part no.
119 x 119 x 38	230-804

Mounting plate

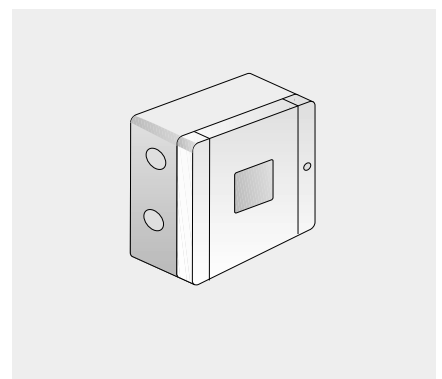


- for attaching heavy components

Finish:
galvanized

Part no.
30-6060-70

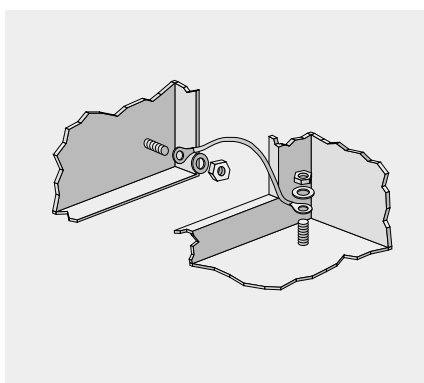
Connection box



- cable distribution socket
- used as a fixed transfer point from building electricity to enclosure electricity
- easy and quick assembly

Part no. (1 piece)
640-059

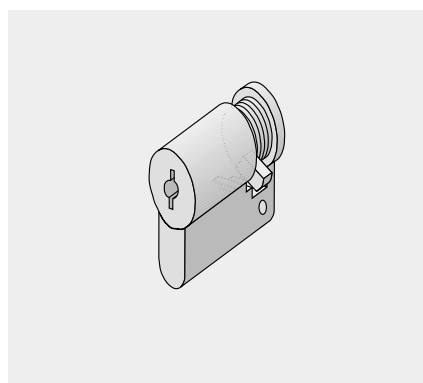
Earthing kit



- for earth connection in compliance with VDE

Part no.
30-6060-50

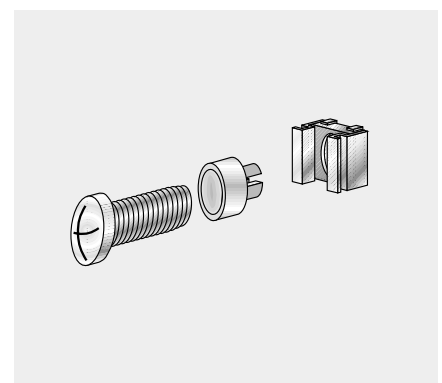
Profile semi-cylinder



- fits locking doors with turning lever lock
- incl. 2 keys

Part no.
676-062

M5 screw set



- 50 screws, M5 x 12
- 50 captive nuts, M5-8
- 50 decorative washers, M5 with collar

Description	Part no.
50 pc.	630-991



500 • 19" **VARI 500** wall-mounting enclosure



Flexible

This apra-norm enclosure series is characterized by its high flexibility and simple yet versatile construction. Its design allows components to be installed easily.

VARI 500



Compact enclosure



Wall-mounting enclosure



Pivot enclosure, 3-part

19" VARI 500 enclosure system

- enclosure can be used as
 - compact enclosure/cabinet
 - wall-mounting enclosure
 - pivot enclosure, 3-piece
- stable basic construction
- doors with turning lever lock and 3-point locking system
- 180° hinges
- IP 54
- installation dimensions in compliance with IEC 297-1

Vari 500 is perfect for all construction types, whether used as a wall-mounting enclosure, a compact enclosure or a wall-mounting pivot enclosure. The Vari 500 series was designed according to your demands. Three standard models offer you countless combination options. You order the individual parts you need, and we deliver an assembled enclosure based on your specifications. If you have any questions, just ask us. We would be happy to advise you and manufacture your customized Vari 500.

Matching 19" plug-in units

see p. 4.1

Matching 19" subracks

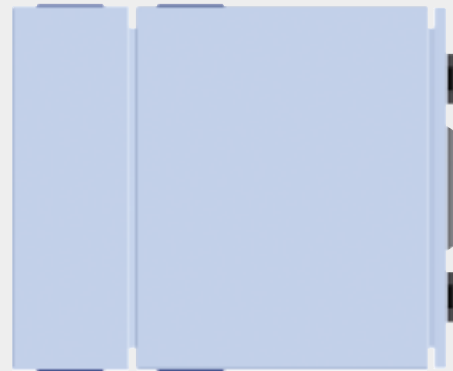
see p. 5.1



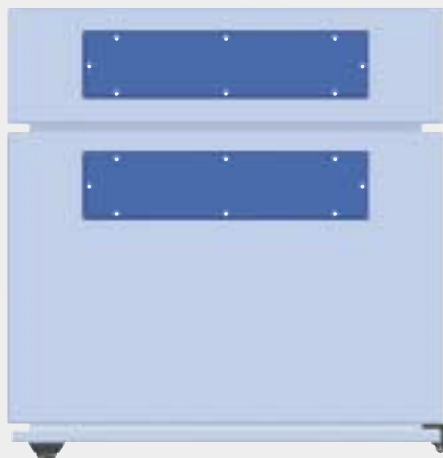
Specifications



Front view



Side view



Top view

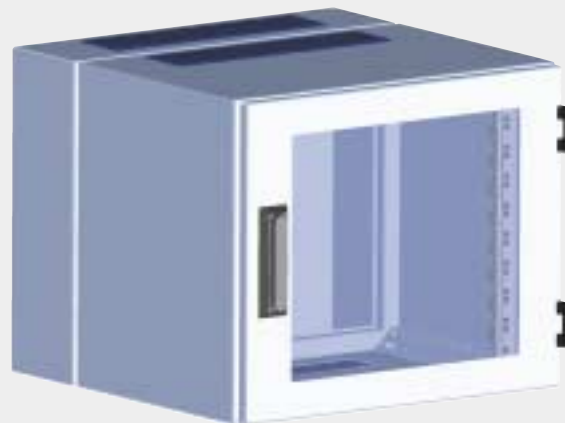


Fig.: Pivot enclosure, 3-part

Application:

can be used as a wall-mounting, compact or pivot enclosure; for industrial use and networking

Construction:

see figure above
(Example: pivot enclosure)

Finish:

RAL 7035 light grey

Degree of protection:

IP 54

Material:

sheet steel

Delivery:

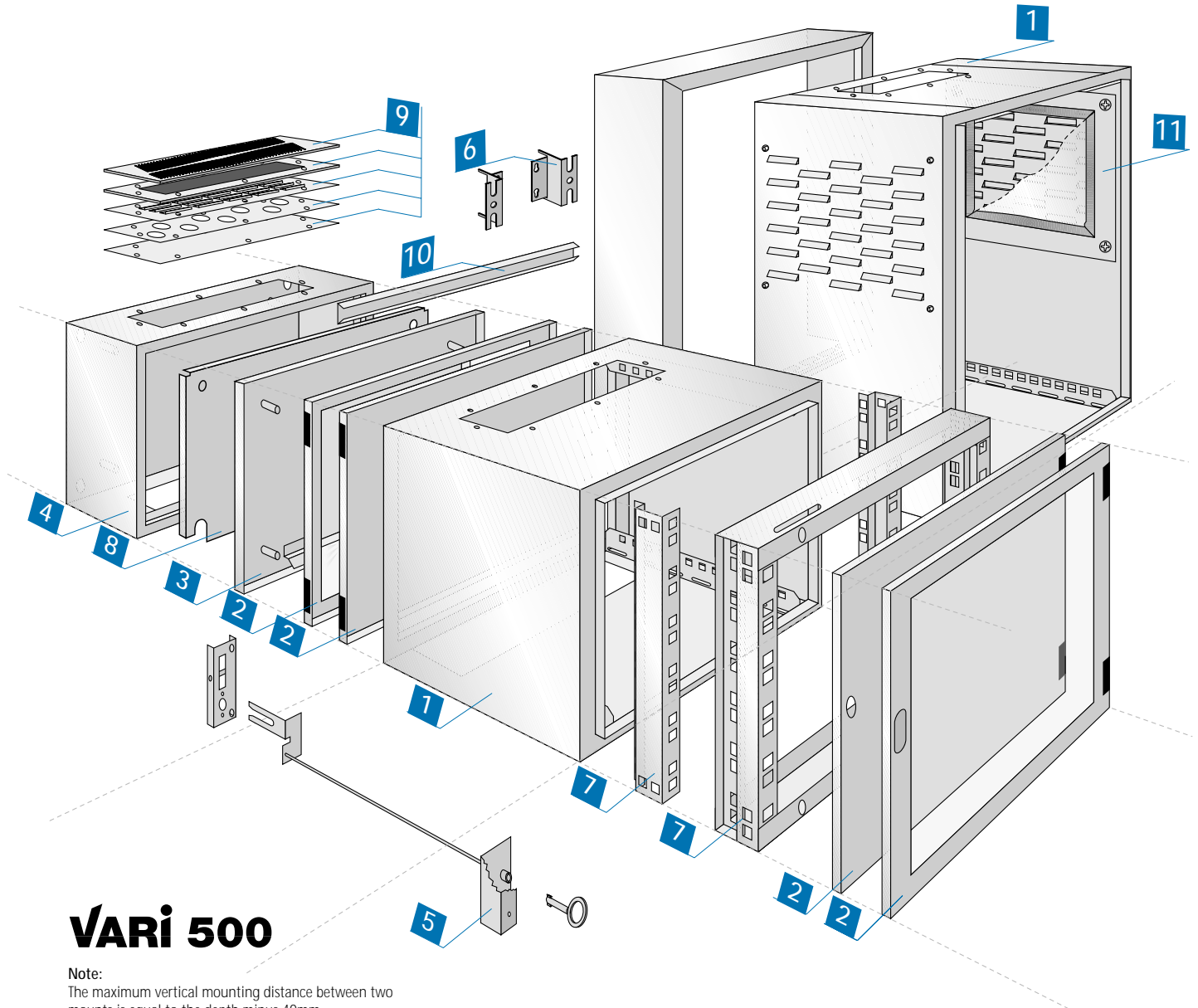
assembled, one cardboard box



500 • 19" VARI 500 wall-mounting enclosure



Individual configuration: Design your own customized wall-mounting enclosure. Select your required enclosure components one at a time.



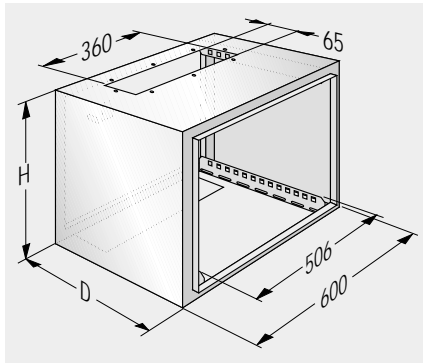
VARI 500

Note:
The maximum vertical mounting distance between two mounts is equal to the depth minus 40mm.
Please keep this measurement in mind when selecting your enclosure.

Item	Description	Page
1	Basic enclosure	2.13
2	Doors	2.13
3	Rear panel	2.13
4	Wall-mounting enclosure expansion	2.14
5	Lock system	2.14
6	Wall mounting hardware set	2.14
7	19" extension	
8	Mounting plate	2.14
9	Cable flange plates/brush set	2.15
10	Cable ducts	2.15
11	Cover plate for vent area	2.15



1 Basic enclosure, solid

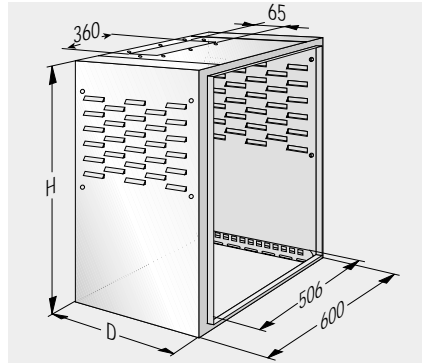


- with cable entry options from above and below

Finish: RAL 7035 light grey

Depth (D) mm	Height (H) mm	Part no.
400	350	50-0062-00
	500	50-0092-00
	600	50-0122-00
600*	350	50-0063-00
	500	50-0093-00
	600	50-0123-00

1 Basic enclosure, ventilated

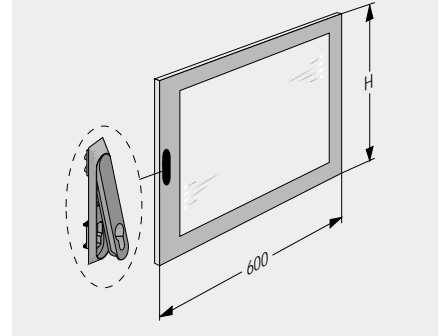


- with cable entry options from above and below

Finish: RAL 7035 light grey

Depth (D) mm	Height (H) mm	Part no.
400	750	50-0152-00
	900	50-0182-00
	1150	50-0242-00
600*	750	50-0153-00
	900	50-0183-00
	1150	50-0243-00

2 Door with safety glass

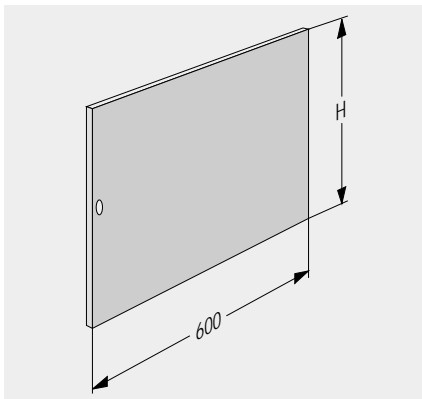


- turning lever lock for profile semi-cylinder (see profile semi-cylinder below)

Finish: RAL 7035 light grey

Height (H) mm	Part no.
350	50-0005-00
500	50-0008-00
600	50-0011-00
750	50-0014-00
900	50-0017-00
1150	50-0023-00

2 Door, closed

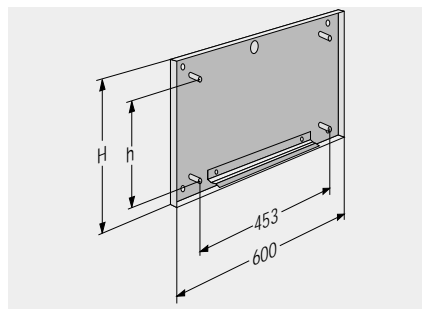


- sash fastener
- 2 fasteners for H = 600mm and greater

Finish:
RAL 7035 light grey

Height (H) mm	Part no.
350	50-0007-00
500	50-0010-00
600	50-0013-00
750	50-0016-00
900	50-0019-00
1150	50-0025-00

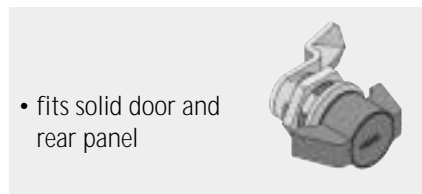
3 Rear panel for basic enclosure



Finish: RAL 7035 light grey

Height (H) mm	h mm	Part no.
350	200	50-0226-00
500	350	50-0229-00
600	450	50-0232-00
750	600	50-0235-00
900	750	50-0238-00
1150	1000	50-0244-00

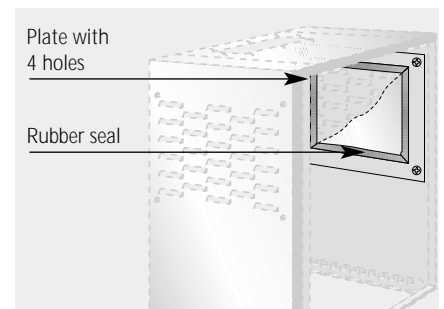
Sash handle



- fits solid door and rear panel

Part no.
676-197

11 Cover plate for basic enclosure, ventilated

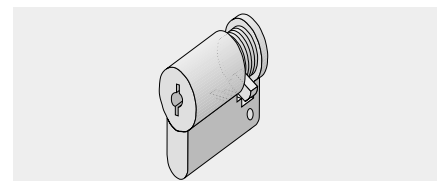


- with self-adhesive rubber seal

Material: sheet steel

Part no.
50-0024-10

Profile semi-cylinder



- fits into the turning lever lock
- incl. 2 keys

Part no.
676-062

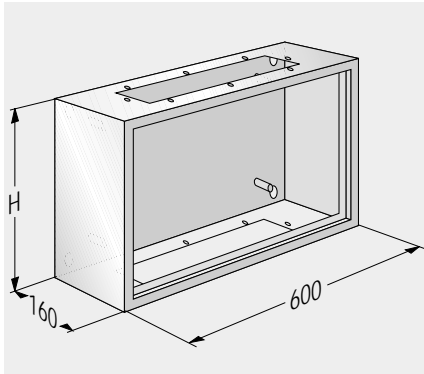
* These basic enclosures cannot be combined with a wall-mounting enclosure expansion.



500 • 19" VARI 500 wall-mounting enclosure



4 Wall-mounting enclosure expansion



- 160mm deep, for expanding a three-part pivot enclosure

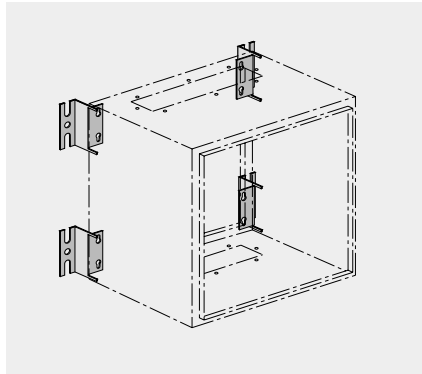
Note:

The wall-mounting enclosure expansion can be combined **only** with a 400mm deep basic enclosure

Finish: RAL 7035 light grey

Height (H) mm	Part no.
350	50-0060-00
500	50-0090-00
600	50-0120-00
750	50-0150-00
900	50-0180-00
1150	50-0240-00

6 Wall mounting hardware set for basic enclosures and wall-mounting enclosure expansion



- The wall mounting hardware set allows you to mount the basic enclosure and the enclosure expansion on a wall.

Included in delivery:

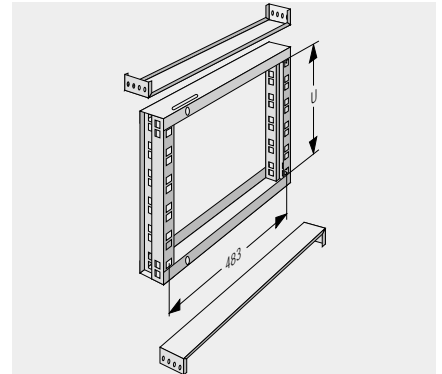
4 fixing brackets with screws, nuts and washers

Material:

sheet steel, galvanized

Part no.
500-099

7 19" hinged frame



Plug-in depths: approx. 240mm

Included in delivery:

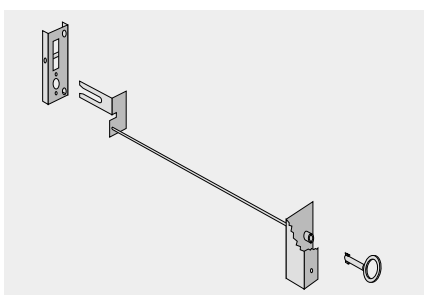
includes tie-bar and mounting material

Finish:

RAL 7035 light grey

Height (H) mm	U	Part no.
500	7	50-0409-00
600	10	50-0412-00
750	13	50-0415-00
900	16	50-0418-00
1150	22	50-0424-00

5 Lock system for three-part enclosure



Note: 2 lock systems are required for H = 600mm and greater

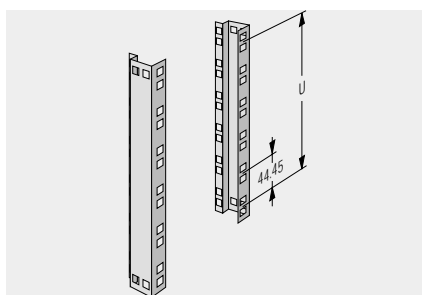
Finish:

galvanized and blue passivated

D = depth of the basic enclosure

Depth (D) mm	Part no.
400	676-362

7 19" vertical mounting

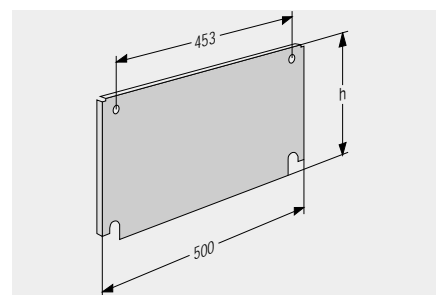


- can be set in 25mm increments towards the rear
- incl. assembly material

Material: sheet steel, galvanized

Height (H) mm	U	Part no.
350	6	500-306
500	9	500-309
600	12	500-312
750	15	500-315
900	18	500-318
1150	24	500-324

8 Mounting plate



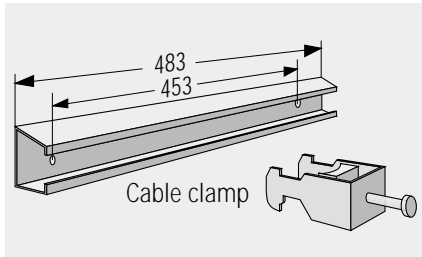
Finish:

galvanized

Height (H) mm	h mm	Part no.
350	230	500-106
500	380	500-109
600	480	500-112
750	630	500-115
900	780	500-118
1150	1030	500-124



10 Cable duct



- for rear lateral installation

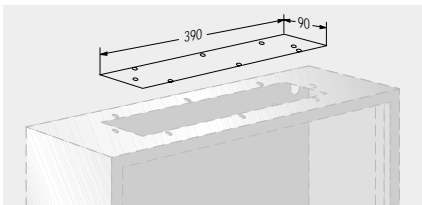
Order cable clamps separately.
Finish: galvanized

Part no.
500-100

Cable clamp

For cable diameter	Part no.
∅ 8-12	640-132
∅ 12-16	640-133
∅ 16-22	640-134

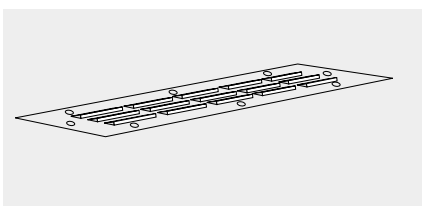
9 Cable flange plate, solid



- with individual cut-outs on request
 - incl. assembly material
- Finish: RAL 7035 light grey

Part no.
50-0131-00

9 Vent plate, passive ventilation

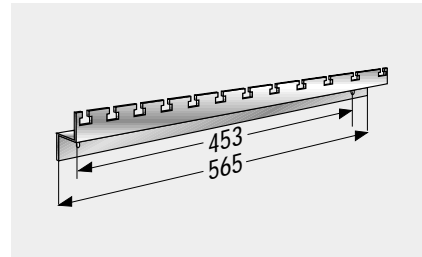


- incl. assembly material

Finish:
RAL 7035 light grey

Part no.
50-0132-00

10 Cable management bracket

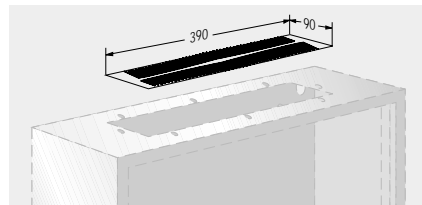


- for bundling and providing tension relief for cables with cable ties
- for rear lateral installation
- incl. assembly material

Finish: RAL 7032 pebble grey

Part no.
315-800

9 Brush set for flange plate opening

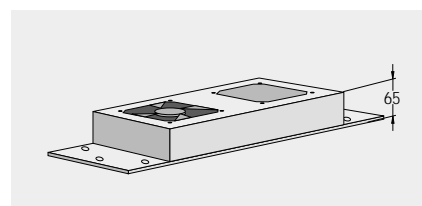


- incl. assembly material

Finish: RAL 7035 light grey

Part no.
50-0133-00

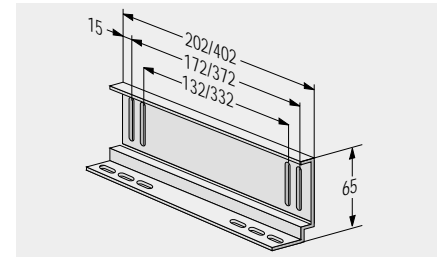
9 Fan unit, active ventilation



- fan unit can be expanded to two fans

Finish:
RAL 7035 light grey

Sliding rail for basic enclosure

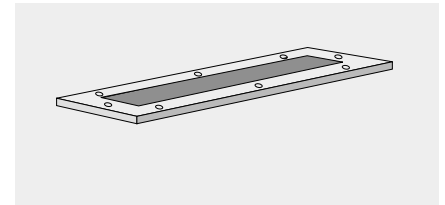


Sliding rails are mounted on the 19" vertical mountings. They support heavy 19" plug-in units. Two 19" mounts are required for anchoring them.

Material:
sheet steel, 2mm, galvanized

Enclosure depth (D) mm	Part no. (pair)
400	312-543
600	312-544

9 Cable plate with rubber insert



- for guiding in cables easily
 - incl. assembly material
- Finish: RAL 7035 light grey

Part no.
50-0095-00

The fan unit is screwed onto the upper cable entry opening. It is factory-wired with a fan and wired to a terminal. **The thermostat is integrated.** The fan is covered on one side with a fan guard. Fan output: 160m³/h

Description	Part no.
Fan unit	50-0698-10
Matching fan	230-804

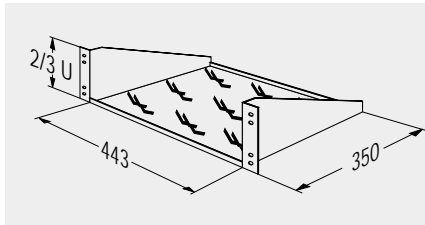


500 • 19" VARI 500 wall-mounting enclosure



Accessories

19" shelf, fixed



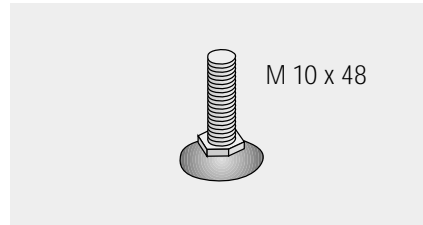
- easy installation on 19" vertical mounting
- ventilated
- incl. assembly material

Carrying capacity: approx. 15kg

Finish: RAL 7035 light grey

Height	Part no.
2 U	31-5810-20
3 U	31-5810-00

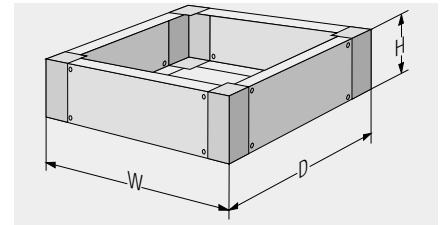
Adjusting feet (4 pc.)



- screws onto the basic enclosure
- 4 adjusting feet
- setting range: approx. 20mm
- incl. assembly material

Part no. (set)
50-0550-00

Base



- stable, bolted design
- panels can be removed one at a time, allowing the cables to be led in easily
- stackable

Finish: RAL 7035 light grey

Height (H) mm	Depth (D) mm	Part no.
100	400	50-0327-10
100	600	50-0327-00

Castor set



Castor set 1:

- 4 swivel castors without brakes

Carrying capacity: 30kg per castor

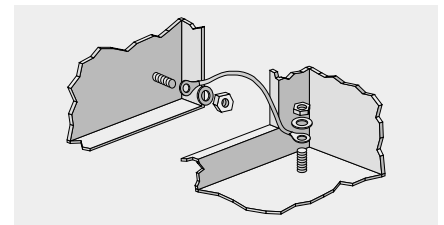
Castor set 2:

- 4 swivel castors, 2 of which have brakes

Carrying capacity: 80kg per castor

Description:	Part no.
Castor set 1	50-0330-00
Castor set 2	50-0330-10

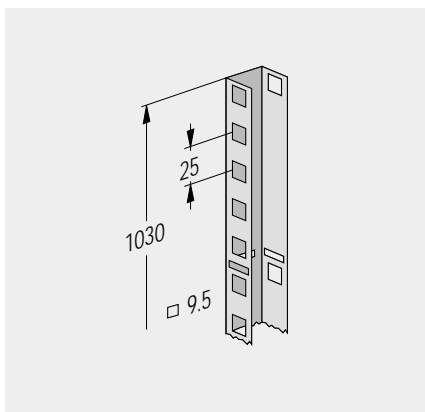
Earthing kit



- this set allows the earthing of enclosure components in compliance with VDE
- cable diameter 2.5mm²

Part no.
50-0840-00

Vertical strut



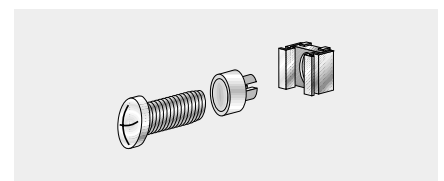
- for wall-mounting enclosure expansion or rear panel
- for adjusting cable duct mounting height

Note: The vertical strut must be cut to the height of the enclosure.

Finish: galvanized

Part no.
50-0100-03

19" screw set M5/M6



Included in delivery:

- 50 oval head screws, M5 x 12/M6 x 16
- 50 captive nuts, M5/M6
- 50 decorative washers, M5/M6 with collar

Description	Part no.
M5	630-991
M6	630-994



Complete solutions:

19" VARI 500 wall-mounting enclosure, 3-piece

- wall-mounting enclosure with hinged centre section, 400mm deep and interior lock for enclosure expansion
 - 19" front mount
 - safety glass door with turning lever lock for profile semi-cylinder
 - incl. M5 screw set (4 pc.)
- Order cable flange plates separately (see page 2.15).

Dimensions: (H x W x D):

H x 600mm x 590mm

Finish: RAL 7035 light grey

Delivery:

assembled, one cardboard box

H (mm)	U	D (mm)	Part no.
350	6	590	50-0201-06
500	9	590	50-0201-09
600	12	590	50-0201-12
750	15	590	50-0201-15
900	18	590	50-0201-18
1150	24	590	50-0201-24



19" wall-mounting enclosure, 3-piece

Included in delivery

Item	Pc.	Description
1	1	Wall-mounting enclosure expansion
2	1	Basic enclosure
3	1	Glass door with turning lever lock

Item	Pc.	Description
4	2	Vertical mounting
5	1/2*	"Vari 500" lock
6	1	M5 screw set (4 pc.)

*Note: 2 pieces included in delivery for H=600mm and greater!

19" VARI 500 wall-mounting enclosure, 2-piece

- 400mm basic enclosure
 - 19" front mount
 - safety glass door with turning lever for profile semi-cylinder
 - removable rear panel
 - incl. wall mounting bracket
- Order cable flange plates separately (see page 2.15).

Dimensions: (H x W x D):

H x 600mm x 400mm

Finish: RAL 7035 light grey

Delivery: assembled, one cardboard box

H (mm)	U	D (mm)	Part no.
350	6	400	50-0202-06
500	9	400	50-0202-09
600	12	400	50-0202-12
750	15	400	50-0202-15
900	18	400	50-0202-18
1150	24	400	50-0202-24



19" wall-mounting enclosure, 2-piece

Included in delivery

Item	Pc.	Description
1	1	Basic enclosure
2	1	Glass door with turning lever lock
3	1	Rear panel

Item	Pc.	Description
4	1	Wall mounting hardware set
5	2	Vertical mounting
6	1	M5 screw set (4 pc.)



500 • 19" VARI 500 compact cabinet



19" compact cabinet, preferred type 24 U

- 19" compact cabinet, sheet steel with dimensions:
H = 1250mm, W = 600mm, D = 600mm
- front safety glass door with pivoting lever for profile semi-cylinder
- rear door, solid
- cable entry options from above and below
- 19" mount, 24 U adjustable mounting depth
- cable entry base H = 100mm with removable panels on all four sides
- 19" M5 screw set

Delivery:
assembled, one cardboard box

Finish:
RAL 7035 light grey

Included in delivery

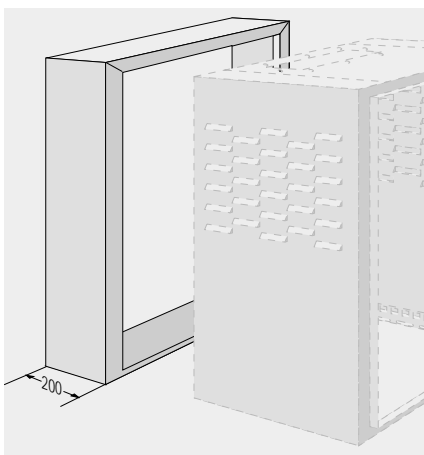
Item	Pc.	Description
1	1	Basic enclosure, ventilated, H = 1150mm
2	1	Door, closed
3	1	Glass door with turning lever lock
4	2	19" vertical mountings, 24 U
5	1	Base H=100mm
6	1	19" M5 screw set

You can find additional sizes in the Individual Configuration section beginning on p. 2.12.

Part no.
50-0000-60

Note:
Cable flange plates are available for closing the top/floor openings (see p. 2.15)

Frame



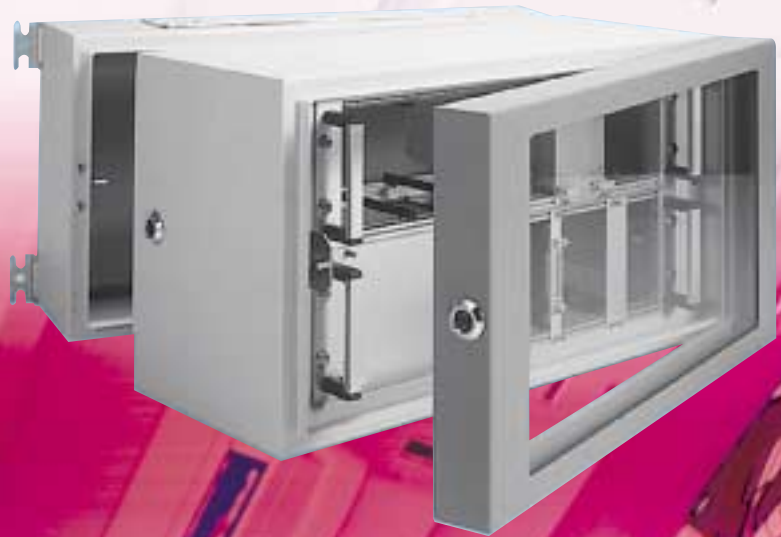
- for deepening the above enclosure by 200mm for a total depth of 800mm

Part no.
50-0241-00



172 - The perfect shell

The high level of stability and IP 65 protection protect your equipment even in the most unfavourable conditions. The enclosure is also available in stainless steel for use in the food and medical industries.



Models



wall-mounting enclosure



19" pivot enclosure with thin door



19" pivot enclosure with deep door

19" wall-mounting pivot enclosure, IP 65

- high degree of protection: IP 65
- extremely stable due to welded design
- 3 models
 - wall-mounting enclosure
 - 19" pivot enclosure with thin door
 - 19" pivot enclosure with deep door
- available in 3-15 U and depths of 400mm and 500mm
- other sizes available on request
- safety glass door
- different locks available on request

Application:

Wall-mounting or pivot enclosures for use in rough dusty or humid environments

Construction:

tough, torsionally rigid welded sheet steel design with welded vertical mountings for extreme stability

Enclosure lock: lever lock with hook

Front door lock: sash fastener

(other inserts or safety locks available on request.)

Finish:

RAL 7032 pebble grey

Standards:

pivot enclosure: installation dimensions in compliance with IEC 297-1

We would be happy to provide more information! Please call us at +49 65 92/204-0



266 • profi set wall-mounting enclosure



Profi set wall-mounting enclosure

- with integrated connection box
- IP 30
- mounting rail can be installed
- removable top and bottom shells

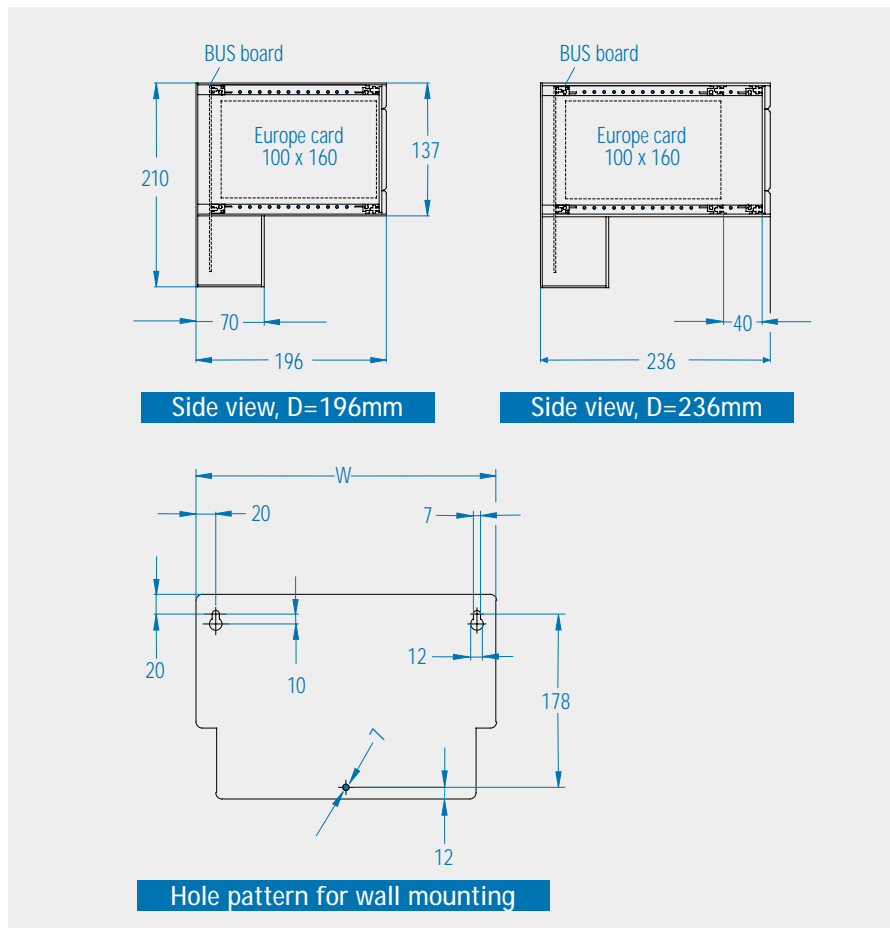
Matching front panels

see p. 5.70

Matching plug-in modules

see p. 5.75

Specifications



Application:

for plug-in components in compliance with IEC 297-3 with a BUS back plate

Construction:

based on the desktop enclosure profi set 266

Finish:

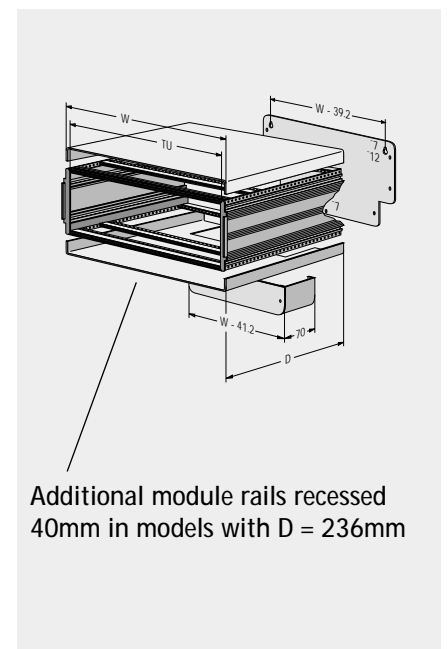
RAL 7035 light grey

Degree of protection:

IP 30

Delivery:

unassembled



Order information

Dimensions		Part no.		Matching DIN rail
HP	W mm	D = 196mm	D = 236mm	
84	448	266-801	266-811	64-0236-10
63	341.2	266-802	266-812	64-0236-11
42	234.5	266-803	266-813	64-0236-12
28	163.4	266-804	266-814	64-0236-13

Note: Accessories like card guides can be found on page 6.26



Visions become reality ...

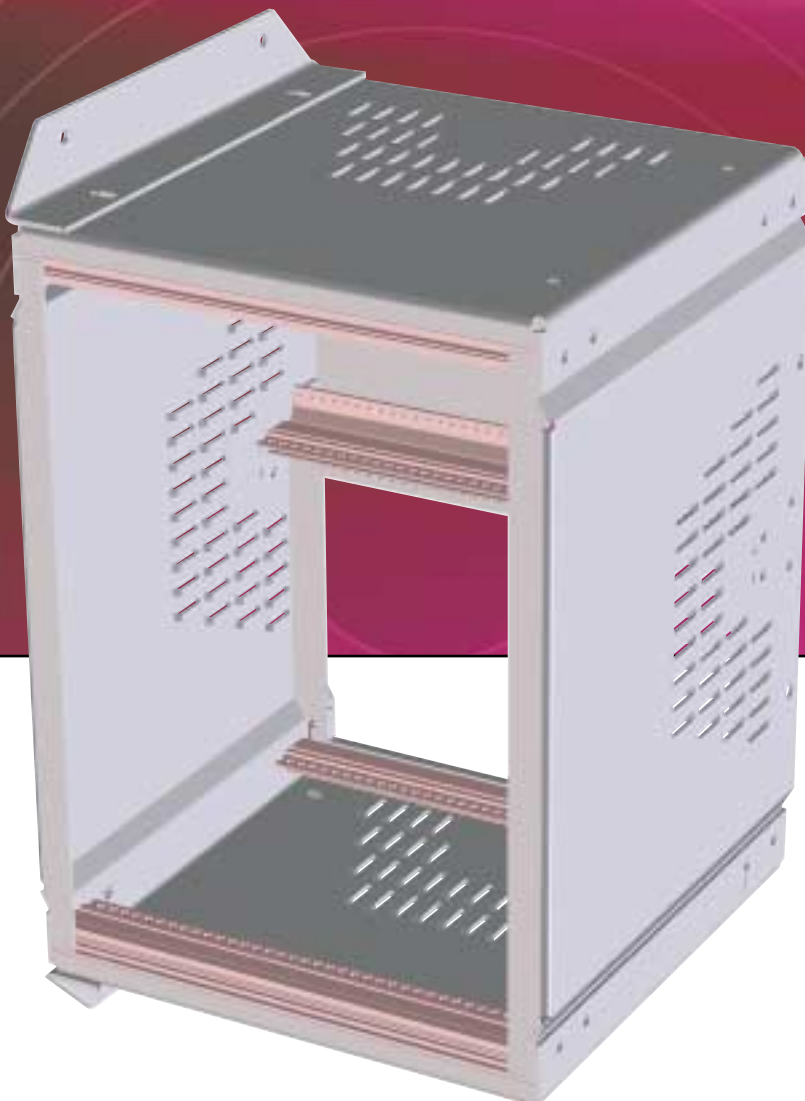


Ticket centre

- elegant design
- prepared for TFT installation
- fold-up front cover with gas springs



Visions become reality ...



Wall-mounting enclosure, 40 HP

- 19" installation possible
- fixing brackets can be attached in various positions