

# Desktop Enclosures



... the perfect shell for valuable electronics



# Desktop enclosures



## *Tamago* 285

beginning on page 6.4

- the newest member of the desktop enclosure family
- patented apra-lock locking system
- cover plates can be removed without tools
- also available as 19" enclosure
- flexible ventilation
- IP 40/20 degree of protection

## apra line 280

beginning on page 6.14

- proven quality
- integrated recessed handle
- removable cover panels
- also available as 19" enclosure
- IP 30/20 degree of protection

## profi set 266

beginning on page 6.18

- compact construction
- removable cover parts
- decorative aluminium extrusion side panels
- IP 30/20 degree of protection



## profi set 267

beginning on page 6.22

- the flexible enclosure system
- can be used as a desktop/plug-in enclosure and subrack
- compact size
- IP 30/20 degree of protection



## TFT display enclosure 381

beginning on page 6.27

- can be quickly adjusted to any display size
- stepless depth adjustment
- IP 40 degree of protection



### profi set 266

page 6.21

- simple construction
- removable cover plates
- compact construction
- IP 30 degree of protection



### Additional desktop enclosures

- see Chapter 3 "19" Enclosure Systems"
- **Vitard** enclosure system . . . . . 3.4



### Customized desktop enclosures

beginning on page 6.29

- we develop the optimum desktop enclosure solution based on your specific demands

# Tamago!

The Desktop Enclosure of the Future



... the perfect shell for valuable electronics



# Innovation and design of the future

The Tamago desktop enclosure is characterized by its blend of technical sophistication and advanced design.



# Tamago!

DESIGNAWARD



Innovative details like the new **apra-lock** locking system guarantee easy handling and high flexibility. Because of its high-quality workmanship and numerous expansion and accessory parts, the enclosure meets even the highest demands of the market.

### Tamago desktop enclosure

- advanced design
- **apra-lock** locking system, subject to utility model protection
- flexible ventilation
- installing fans does not reduce the available height (U)
- clip-on trim pieces for custom design
- flexible interior construction options
- depth grids in 10mm increments
- handle bar can be integrated
- EMC model available
- easy handling
- diverse accessories (for example prop-up and carrying handle)
- also available as 19" enclosure (see p. 3.24)
- IP 20/30 degree of protection
- installation dimensions in compliance with IEC 297-3

Matching front panels → see p. 5.67

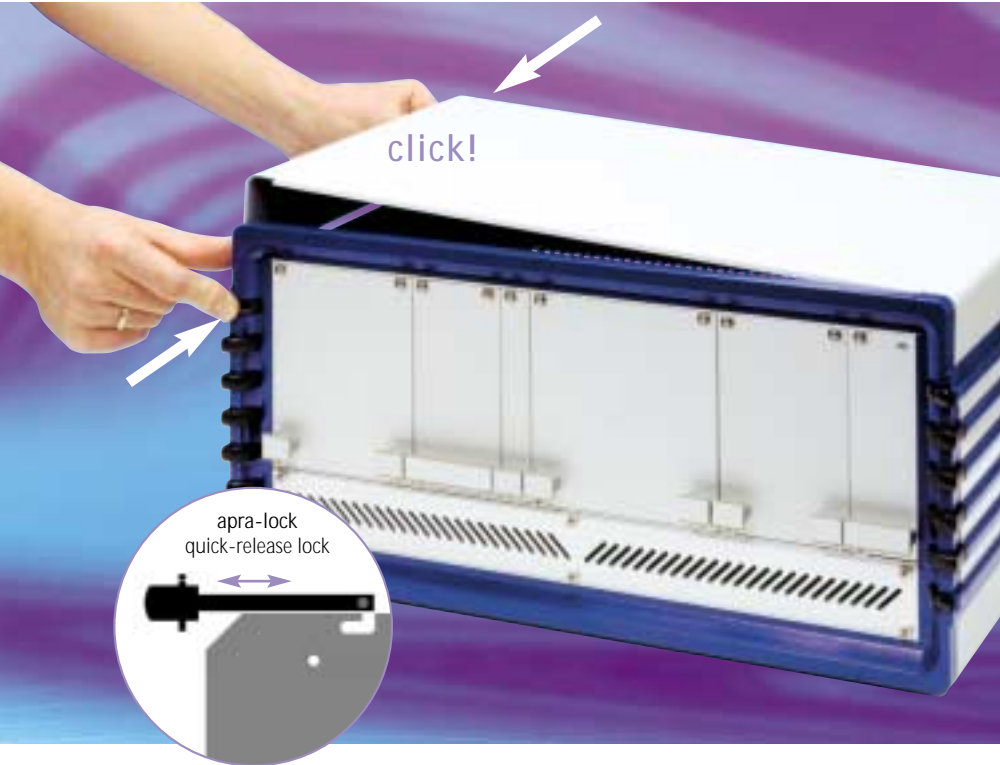
Matching plug-in modules → see p. 5.75



# 285 • Tamago desktop enclosure



## Excellent features



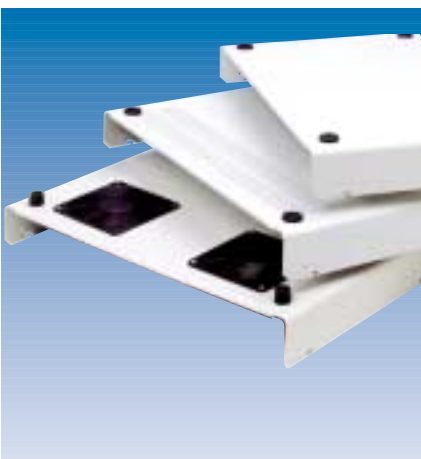
### apra-lock - the innovative locking system

The top and bottom shells can be removed and installed easily; no tools are required.

The knobs for opening the top/bottom shells blend with the design elements of the front and rear of the enclosure.

If you require more protection against access, the shells can also be secured with screws.

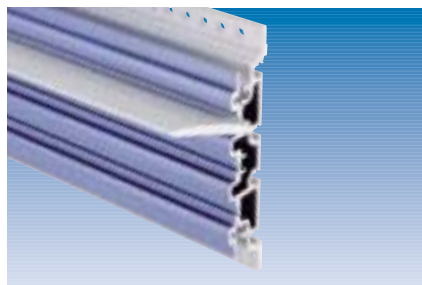
### Two ventilation options



Two ventilation options are available in addition to the unventilated enclosure model:

- **passive ventilation**  
air enters/exits through the top/bottom shells or rear wall
- **active ventilation**  
air enters/exits through the top/bottom shells or rear wall

### Handle bars, can be integrated



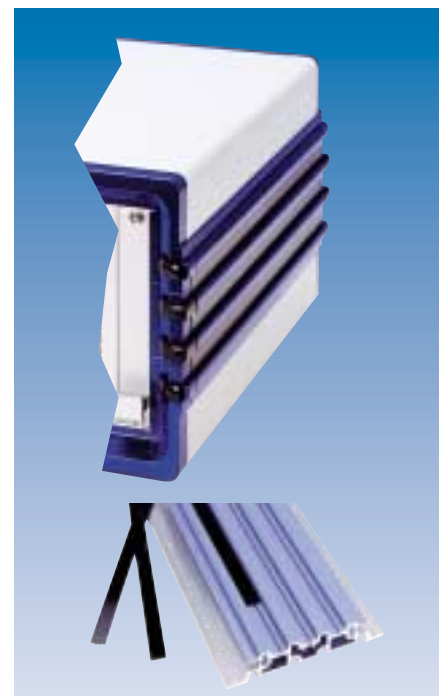
Handle bars inserted into the side wall allow you to transport the enclosure comfortably. Indicate handle bars by adding -99 to the order number of the enclosure body (p. 6.10).

### Decorative knobs



Stylish decorative knobs create the unmistakable look of the enclosure and blend with the lock.

### Trim pieces



You can customize your enclosure's design by clipping trim pieces onto the sides. Trim pieces in different colours are available on request.



## Specifications

### Application:

The Tamago desktop enclosure holds plug-in models in compliance with IEC 297-3, bus boards and customized electronics.

### Construction:

Stylish aluminium extrusions and die-cast zinc parts form the stable basic structure of this enclosure system. The top and bottom shells and rear walls are constructed of aluminium and are available in ventilated or non-ventilated versions.

### Finish:

Frame and side extrusions:

RAL 7001 silver grey

Module rails:

anodized (EMC model is chromated)

Top/bottom shell:

RAL 7035 light grey

Locks and decorative knobs:

RAL 9005 deep black

### Material:

Frame: die-cast zinc/aluminium extrusion

Side walls: aluminium

Top/bottom shell:

aluminium panel, 1.5mm

Locks: die-cast zinc

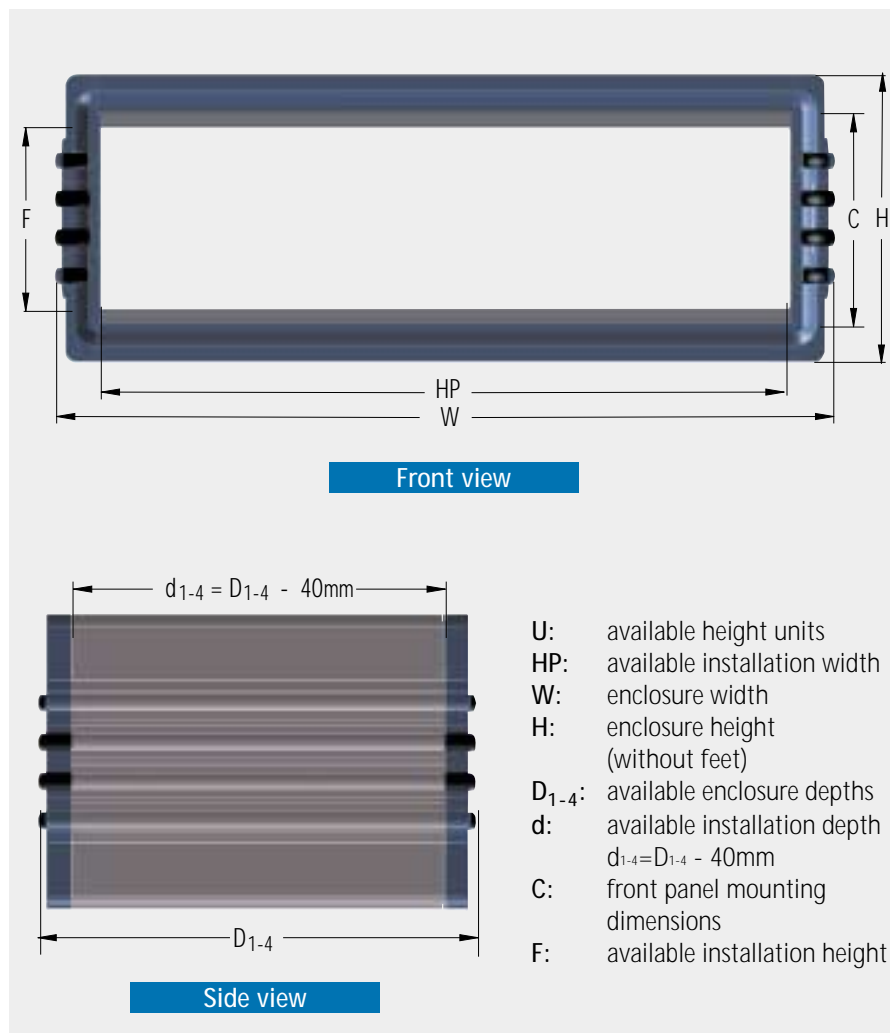
Decorative knobs: plastic

Feet: rubber/plastic

### Delivery:

partially assembled

incl. assembly instructions



### Standards:

installation dimensions in compliance with IEC 297-3

Degree of protection: IP 20/40

## Available sizes

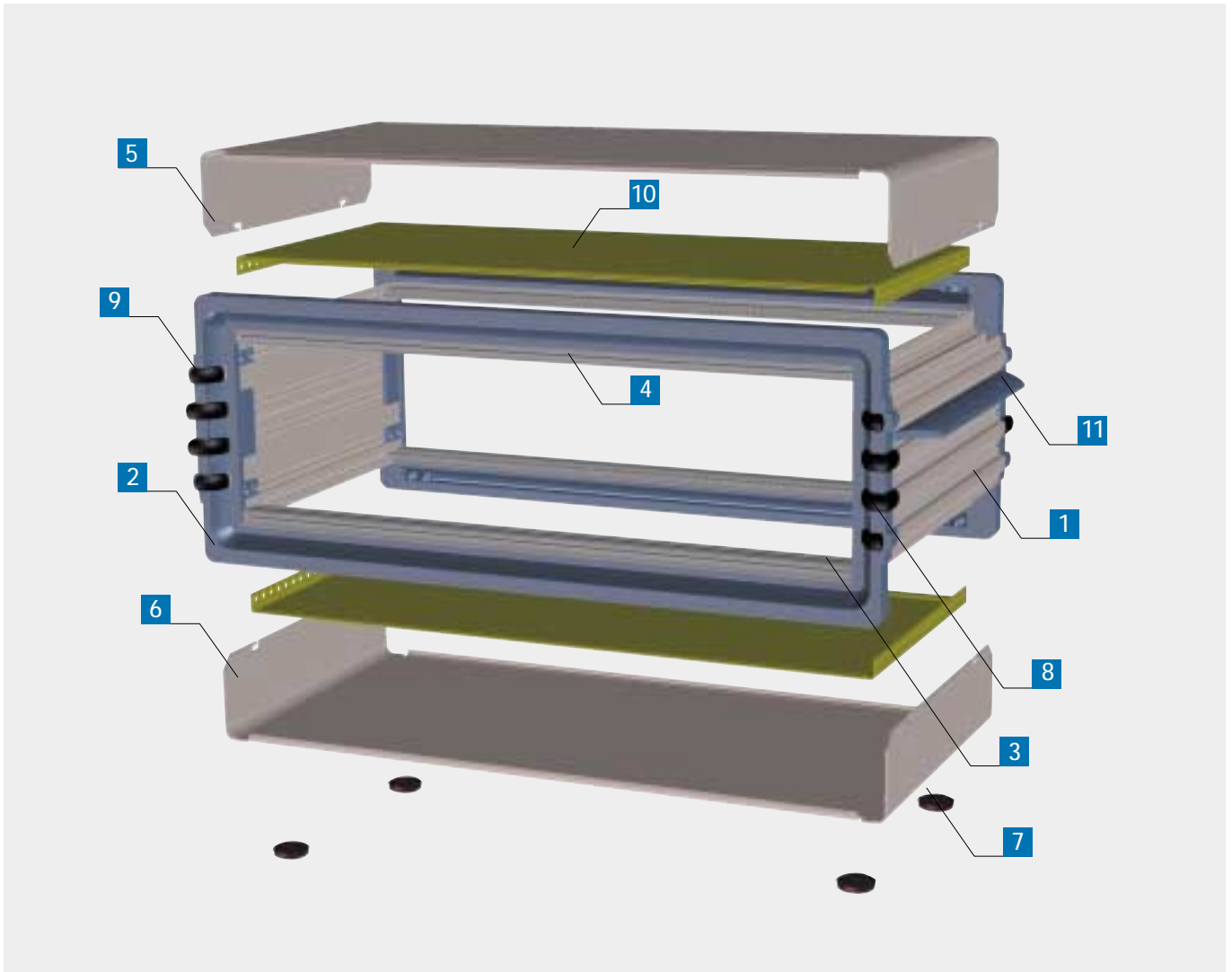
U	HP	W mm	H mm	D <sub>1</sub> mm	D <sub>2</sub> mm	D <sub>3</sub> mm	D <sub>4</sub> mm	C mm	F mm
3	84	485	179.5	266	326	386	446	122.6	112.6
	63	378							
	42	271							
4	84	485	224	266	326	386	446	167.1	157.1
	63	378							
	42	271							
6	84	485	313	266	326	386	446	256.1	246.1
	63	378							
	42	271							



# 285 • Tamago desktop enclosure



## Specifications



Item	Description
1	Side walls
2	Enclosure frame
3	Module rails
4	Threaded inserts, M2.5
5	Top shell
6	Bottom shell
7	Feet
8	Decorative knobs
9	Locks
10	EMC protective panel with sealing material (EMC model only)
11	Handle bar, can be integrated (on request)





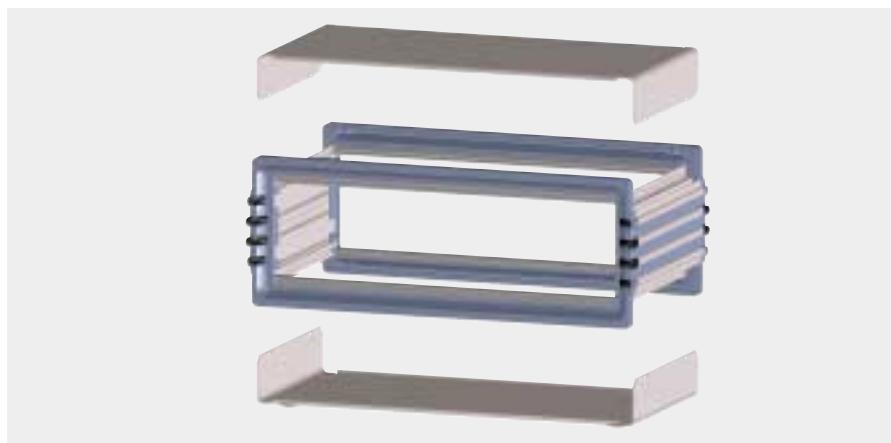
## Complete solution

### Preferred model, standard

- enclosure with cover plates

### Included in delivery

Item	Pc.	Description
1	2	Side panels
2	2	Enclosure frame
3	4	Module rails
4	2	Threaded inserts, M2.5
5	1	Top shell
6	1	Bottom shell
7	4	Feet, non-skid
8	8	Locks, complete
9	8/20 & 32	Decorative knobs (3 U/4 U/6 U)
10	1	Assembly kit



### Order information

			Preferred model, standard	
U	HP	D mm	Solid IP 40	Passive ventilation IP 20
3	84	326	28-5311-30	28-5361-30
4	84	326	28-5411-30	28-5461-30
6	84	326	28-5611-30	28-5661-30

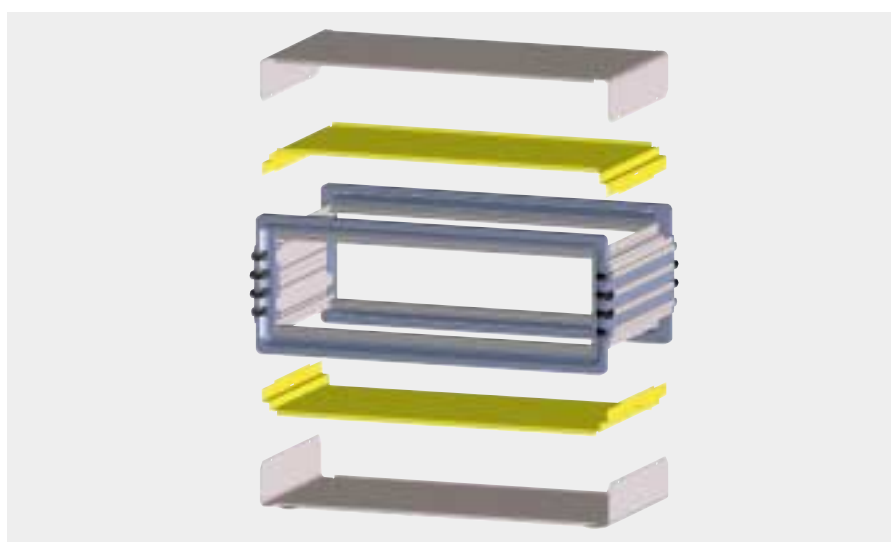
## Complete solution

### Preferred model, EMC

- Please order our EMC model if you have higher EMC requirements.

### Included in delivery

Item	Pc.	Description
1	2	Side panels
2	2	Enclosure frame
3	4	Module rails
4	2	Threaded inserts, M2.5
5	1	Top shell
6	1	Bottom shell
7	4	Feet, non-skid
8	8	Locks, complete
9	8/20 & 32	Decorative knobs (3 U/4 U/6 U)
10	2	EMC protective panels
11	1	Assembly kit



### Order information

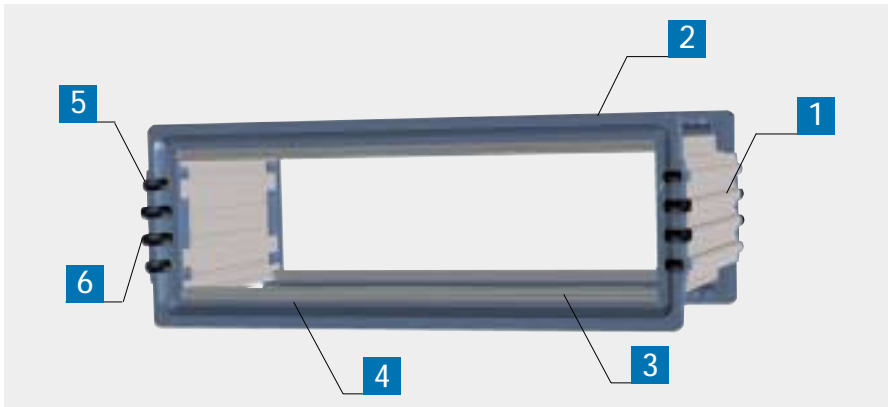
			Preferred model, EMC	
U	HP	D mm	Solid IP 40	Passive ventilation IP 20
3	84	326	28-5311-80	28-5361-80
4	84	326	28-5411-80	28-5461-80
6	84	326	28-5611-80	28-5661-80



# 285 • Tamago desktop enclosure



**Individual configuration:** Design your own custom-built enclosure. Select your required enclosure components one at a time.



### Enclosure body

- enclosure without cover plates

**Finish:**

Frame and side extrusions:  
RAL 7001 silver grey

Lock and decorative knobs:  
RAL 9005 jet black

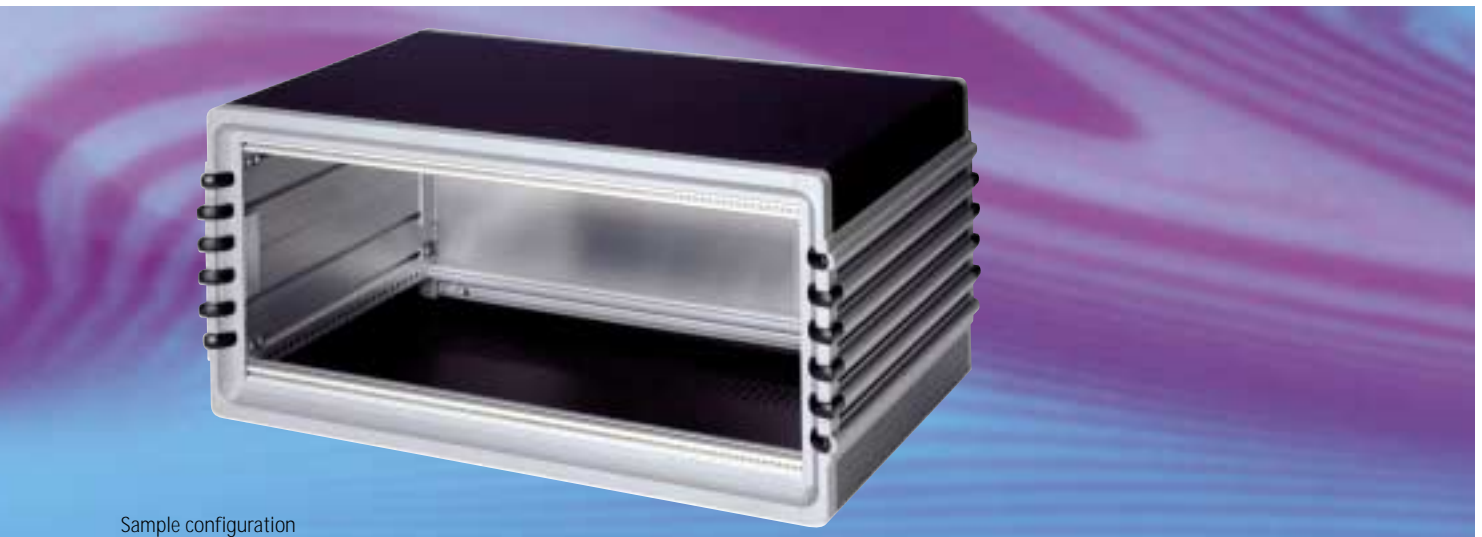
### Order information

			Enclosure body			
U	HP	W mm	D=266mm	D=326mm	D=386mm	D=446mm
3	84	485	28-5301-00	28-5311-00	28-5321-00	28-5331-00
	63	378	28-5302-00	28-5312-00	28-5322-00	28-5332-00
	42	271	28-5303-00	28-5313-00	28-5323-00	28-5333-00
4	84	485	28-5401-00	28-5411-00	28-5421-00	28-5431-00
	63	378	28-5402-00	28-5412-00	28-5422-00	28-5432-00
	42	271	28-5403-00	28-5413-00	28-5423-00	28-5433-00
6	84	485	28-5601-00	28-5611-00	28-5621-00	28-5631-00
	63	378	28-5602-00	28-5612-00	28-5622-00	28-5632-00
	42	271	28-5603-00	28-5613-00	28-5623-00	28-5633-00

### Included in delivery

Item	Pc.	Description
1	2	Side panels
2	2	Enclosure frame
3	4	Module rails
4	2	Threaded inserts, M2.5
5	8	Locks, complete
6	8/20 & 32	Decorative knobs (3 U/4 U/6 U)
7	2	Handle bars (-99 at end of part no.)
8	1	Assembly kit

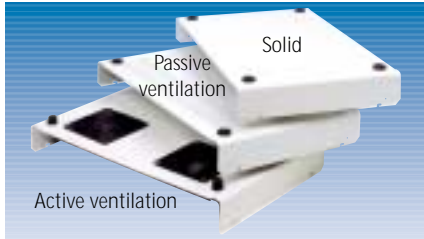
**Note:** When ordering the enclosure body with an integrated handle bar, please specify the last two digits as **-99** instead of **-00**.  
(Example: 28-5301-00 → 28-5301-99).



Sample configuration



### Bottom shell



Finish: RAL 7035 light grey

Included in delivery

Item	Pc.	Description
1	1	Bottom shell
2	4	Feet, non-skid
3	2	Fan guard (active ventilation model only)

Matching fans, see page 6.13

Bottom shell	HP	D=266mm	D=326mm	D=386mm	D=446mm
Solid	84	28-5084-51	28-5084-52	28-5084-53	28-5084-54
	63	28-5063-51	28-5063-52	28-5063-53	28-5063-54
	42	28-5042-51	28-5042-52	28-5042-53	28-5042-54
Passive ventilation	84	28-5084-71	28-5084-72	28-5084-73	28-5084-74
	63	28-5063-71	28-5063-72	28-5063-73	28-5063-74
	42	28-5042-71	28-5042-72	28-5042-73	28-5042-74
Active ventilation	84	28-5284-51	28-5284-52	28-5284-53	28-5284-54
	63	28-5263-51	28-5263-52	28-5263-53	28-5263-54
	42	28-5242-51	28-5242-52	28-5242-53	28-5242-54

### Top shell

Finish: RAL 7035 light grey

Top shell	HP	D=266mm	D=326mm	D=386mm	D=446mm
Solid	84	28-5084-41	28-5084-42	28-5084-43	28-5084-44
	63	28-5063-41	28-5063-42	28-5063-43	28-5063-44
	42	28-5042-41	28-5042-42	28-5042-43	28-5042-44
Passive ventilation	84	28-5084-61	28-5084-62	28-5084-63	28-5084-64
	63	28-5063-61	28-5063-62	28-5063-63	28-5063-64
	42	28-5042-61	28-5042-62	28-5042-63	28-5042-64
Active ventilation	84	28-5284-41	28-5284-42	28-5284-43	28-5284-44
	63	28-5263-41	28-5263-42	28-5263-43	28-5263-44
	42	28-5242-41	28-5242-42	28-5242-43	28-5242-44

### Rear panel

Finish: RAL 7035 light grey



Solid



Passive ventilation



Active ventilation

Rear panel	HP	3 U	4 U	6 U
Solid	84	28-5884-43	28-5884-44	28-5884-46
	63	28-5863-43	28-5863-44	28-5863-46
	42	28-5842-43	28-5842-44	28-5842-46
Passive ventilation	84	28-5884-53	28-5884-54	28-5884-56
	63	28-5863-53	28-5863-54	28-5863-56
	42	28-5842-53	28-5842-54	28-5842-56
Active ventilation	84	28-5884-63	28-5884-64	28-5884-66
	63	28-5863-63	28-5863-64	28-5863-66
	42	28-5842-63	28-5842-64	28-5842-66

Matching fans, see page 6.13



**Expansion kit 1 for plug-in connectors (single row)**

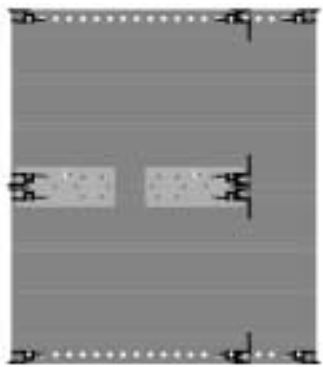


- for expanding single-row enclosures with module rails for mounting plug-in connectors in compliance with DIN 41612

**Included in delivery**

Item	Pc.	Description
1	2	Integrated module rails
2	1	Mounting rail (for 6 U enclosures only)
3		Assembly material

**Expansion kit 3 for plug-in connectors (double row)**



- for expanding double-row enclosures with module rails for mounting plug-in connectors in compliance with DIN 41612

**Included in delivery**

Item	Pc.	Description
1	4	Integrated module rails (2 integrated module rails for 4 U enclosures)
2	2	Standard module rails
3	2	Threaded inserts 7mm x 2mm
4		Assembly material

**Expansion kit 2 for BUS rear wiring (single row)**



- for expanding single-row enclosures with module rails for mounting BUS boards

**Included in delivery**

Item	Pc.	Description
1	2	BUS module rails
2	1	BUS support rail (for 6 U-high enclosures only)
3	2	Threaded inserts 5mm x 1.5mm (4 threaded inserts for 6 U enclosures)
4		Assembly material

**Expansion kit 4 for BUS rear wiring (double row)**



- for expanding double-row enclosures with module rails for mounting BUS boards

**Included in delivery**

Item	Pc.	Description
1	4	BUS module rails (2 BUS module rails for 4 U enclosures)
2	2	Threaded inserts 7mm x 2mm
3	2	Standard module rails
4	4	Threaded inserts 5mm x 1.5mm (2 threaded inserts for 4 U enclosures)
5		Assembly material

**Order information**

U	HP	Expansion kits			
		Expansion kit 1	Expansion kit 2	Expansion kit 3	Expansion kit 4
3	84	28-5200-31	28-5200-32	-	-
	63	28-5201-31	28-5201-32	-	-
	42	28-5202-31	28-5202-32	-	-
4	84	-	-	28-5200-43	28-5200-44
	63	-	-	28-5201-43	28-5201-44
	42	-	-	28-5202-43	28-5202-44
6	84	28-5200-61	28-5200-62	28-5200-63	28-5200-64
	63	28-5201-61	28-5201-62	28-5201-63	28-5201-64
	42	28-5202-61	28-5202-62	28-5202-63	28-5202-64



## Accessories

### Prop-up and carrying handle



- handle can be set 30° by pressing a button to snap it into place
- **Carrying capacity:** up to 50kg

**Finish:**

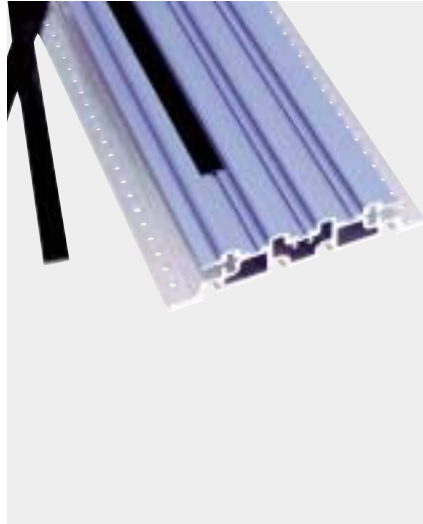
RAL 7035 light grey

**Note:**

Cannot be used with integrated handle bar.

Part no.		
84 HP	63 HP	42 HP
28-5100-84	28-5100-63	28-5100-42

### Trim pieces, clip-on



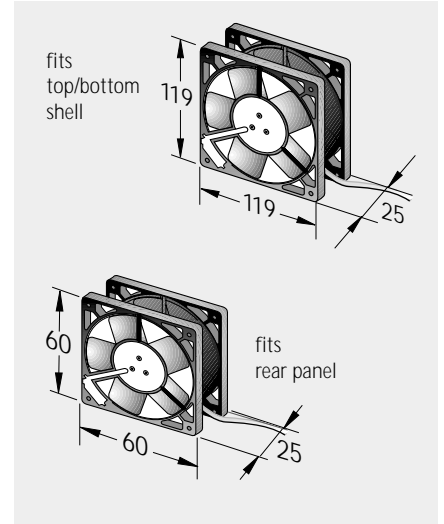
- for designing the appearance of the enclosure side walls

**Material:**

plastic, black

D mm	Part no.:
266	28-5010-01
326	28-5010-02
386	28-5010-03
446	28-5010-04

### Fan



- high-power **PAPST** fan

Fan for active ventilation in top/bottom shell or rear panel	Part no.:	
	12V	230V
119 x 119 x 25	230-815	230-813
60 x 60 x 25	230-825	-

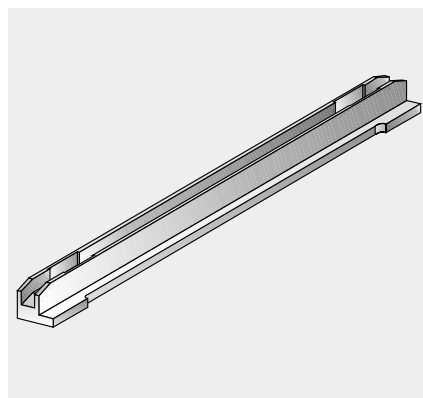
### Earth conductor set



- for earth connection in compliance with VDE

U	Part no.:
3	28-5033-00
4	28-5034-00
6	28-5036-00

### Card guide



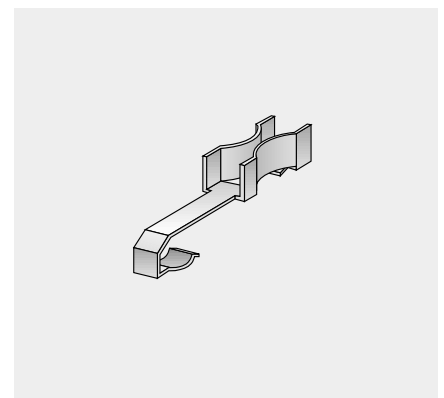
- for 160mm-long Europe cards

**Material:**

plastic, grey, listed according to UL 94 V-1

Part no. (1 piece)
240-401

### Contact spring for card guide



- creates a conductive connection between the PCB and module rails
- clips onto card guide 240-401

Part no. (1 piece)
24-0400-00



## The universal enclosure system

for use as a desktop and 19" enclosure

apra line



Sample configurations

### apraline desktop enclosure

- impressive design with elegant lines and two-tone surface
- ergonomic recessed handles standard
- easy-to-maintain and cost-saving design principle; all cover plates can be easily removed from the assembled enclosure
- side pieces and universal mounting grid with 10mm increments create universal mounting combinations for various card depths and additional models of module rails
- optimum heat dissipation through ventilated bottom and rear parts
- earth connection in compliance with VDE
- IP 20/30 degree of protection
- installation dimensions in compliance with IEC 297-3

Matching front panels

see p. 5.67

Matching plug-in modules

see p. 5.75



### Specifications

#### Application:

The apraline desktop enclosure was designed to hold 100mm x 160mm Europe cards and modules in compliance with IEC 297-3 as well as customized electronics.

#### Construction:

The identical, variable-width front and rear frames consist of two side plastic pieces, which are connected with aluminium extrusions. These frames are connected by plugged-in deepening sections and are screwed on to the mounting rails. Ergonomic recessed handles and grooves for using mounting nuts and universal mounting grids with 10mm increments are built into the deepening extrusions.

The top and bottom shells and rear panel are made out of aluminium and are available in ventilated or solid versions.

#### Finish:

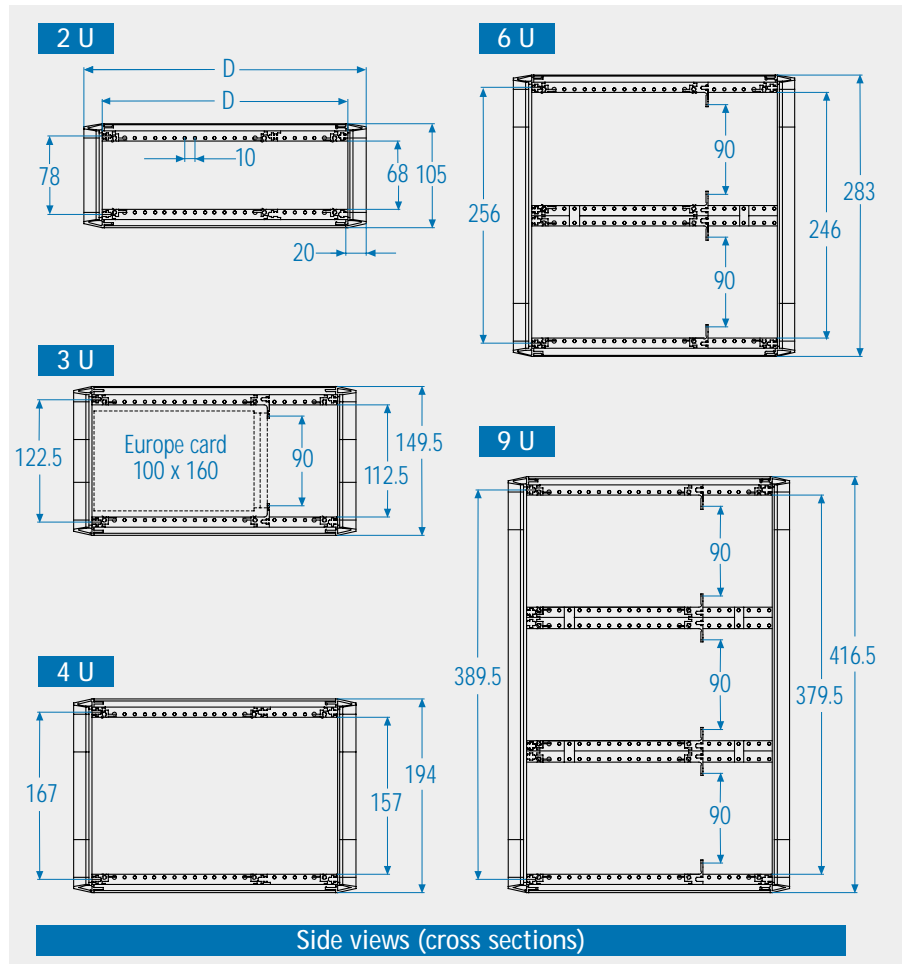
Cover panels: RAL 7035 light grey  
 Frame and side extrusions: RAL 7001 silver grey

#### Degree of protection:

IP 20/30

#### Delivery:

assembled



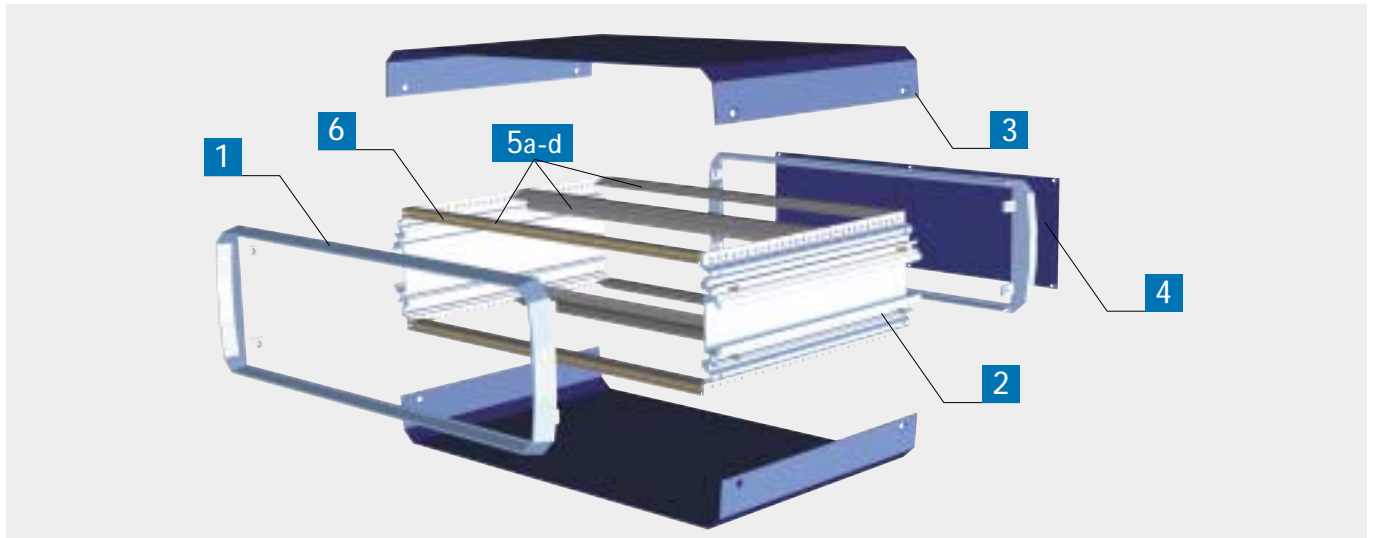
#### Available sizes

U	HP	W mm	D <sub>1</sub> mm	D <sub>2</sub> mm	D <sub>3</sub> mm	D <sub>4</sub> mm	D <sub>5</sub> mm
2	84	478	262	302	-	-	-
	63	371					
	42	264					
	28	193					
3	84	478	262	302	342	382	482
	63	371					
	42	264					
	28	193					
4	84	478	262	302	342	382	482
	63	371					
	42	264					
	28	193					
6	84	478	262	302	342	382	482
	63	371					
	42	264					
	28	193					
9	84	478	-	-	342	382	482

U: available height units  
 HP: available installation width  
 D<sub>1-5</sub>: available enclosure depths  
 d: available installation depth  
 d<sub>1-5</sub>=D<sub>1-5</sub> - 40mm



Included in delivery



Item	Description	2 U	3 U	4 U	6 U	9 U
1	Frame	2	2	2	2	2
2	Side panel	2	2	2	4	6
3	Top/bottom shell (ventilated/not ventilated)	2	2	2	2	2
4	Rear panel (ventilated/not ventilated)	1	1	1	1	1
5a	Module rail without front projection, type 241-030	6	4	4	4	4
5b	Module rail with integrated mounting rail and notch, type 266-006	-	2	-	4	6
5c	Module rail, standard, type 240-022	-	-	2	-	-
5d	Module rail, standard with notch, type 280-022	-	-	-	2	4
6	Threaded insert, M2.5	2	2	2	4	6
7	Assembly material, incl. 4 feet	1 set	1 set	1 set	1 set	1 set

Order information

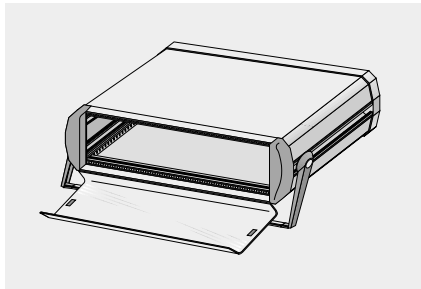
Dimensions			IP 30					IP 20				
			without vents					with vents in rear panel and one shell				
U	HP	W mm	D = 262 mm	D = 302 mm	D = 342 mm	D = 382 mm	D = 482 mm	D = 262 mm	D = 302 mm	D = 342 mm	D = 382 mm	D = 482 mm
2	84	478	280-201	280-211	-	-	-	280-251	280-261	-	-	-
	63	371	280-202	280-212	-	-	-	280-252	280-262	-	-	-
	42	264	280-203	280-213	-	-	-	280-253	280-263	-	-	-
	28	193	280-204	280-214	-	-	-	280-254	280-264	-	-	-
3	84	478	280-301	280-311	280-321	280-331	280-341	280-351	280-361	280-371	280-381	280-391
	63	371	280-302	280-312	280-322	280-332	280-342	280-352	280-362	280-372	280-382	280-392
	42	264	280-303	280-313	280-323	280-333	280-343	280-353	280-363	280-373	280-383	280-393
	28	193	280-304	280-314	280-324	280-334	280-344	280-354	280-364	280-374	280-384	280-394
4	84	478	280-401	280-411	280-421	280-431	280-441	280-451	280-461	280-471	280-481	280-491
	63	371	280-402	280-412	280-422	280-432	280-442	280-452	280-462	280-472	280-482	280-492
	42	264	280-403	280-413	280-423	280-433	280-443	280-453	280-463	280-473	280-483	280-493
	28	193	280-404	280-414	280-424	280-434	280-444	280-454	280-464	280-474	280-484	280-494
6	84	478	280-601	280-611	280-621	280-631	280-641	280-651	280-661	280-671	280-681	280-691
	63	371	280-602	280-612	280-622	280-632	280-642	280-652	280-662	280-672	280-682	280-692
	42	264	280-603	280-613	280-623	280-633	280-643	280-653	280-663	280-673	280-683	280-693
	28	193	280-604	280-614	280-624	280-634	280-644	280-654	280-664	280-674	280-684	280-694
9	84	478	280-901	280-911	280-921	280-931	280-941	280-951	280-961	280-971	280-981	280-991





Accessories

Front door, flip-down

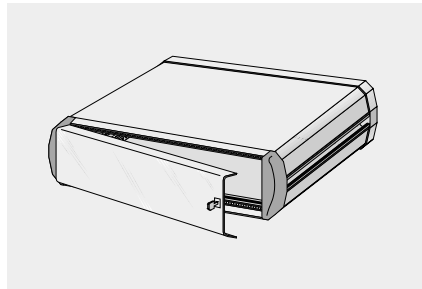


Included in delivery

Item	Pc.	Description
1	1	fully assembled door consists of frame, hinges and plexiglass pane
2	2	sash fasteners

HP	Part no.		
	3 U	4 U	6 U
28	280-106	280-116	-
42	280-107	280-117	-
63	280-108	280-118	280-178
84	280-109	280-119	280-179

Front door, hinged



Included in delivery

Item	Pc.	Description
1	1	fully assembled door consists of frame, hinges and plexiglass pane
2	1	sash fastener

HP	Part no.		
	3 U	4 U	6 U
28	280-101	280-111	280-171
42	280-102	280-112	280-172
63	-	-	-
84	-	-	-

Description	Part no.
Lock	446-001

Prop-up and carrying handle



- handle can be set 30° by pressing a button to snap it into place

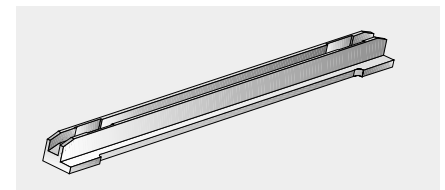
Carrying capacity: up to 50kg

Finish:

RAL 7035 light grey

84 HP	Part no. 63 HP	42 HP
28-0100-84	28-0100-63	28-0100-42

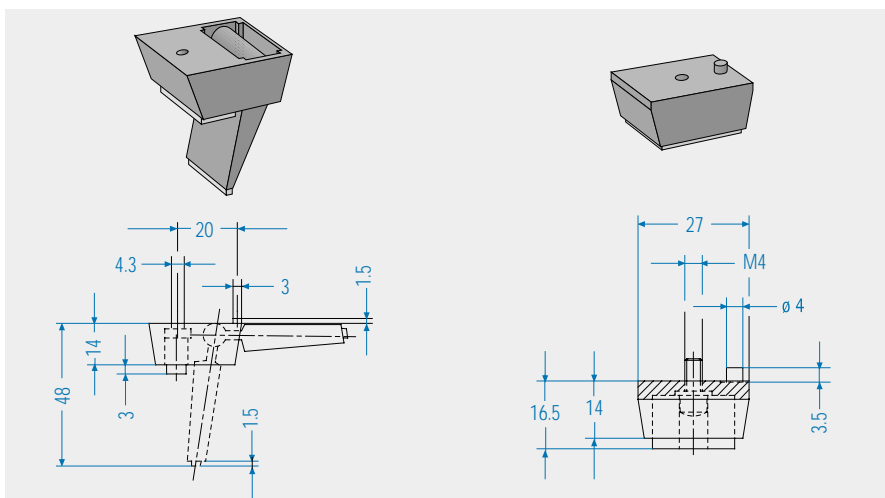
Card guide



- for 160mm-long Europe cards

Part no. (1 piece)
240-401

Hinged feet and base feet set



Included in delivery

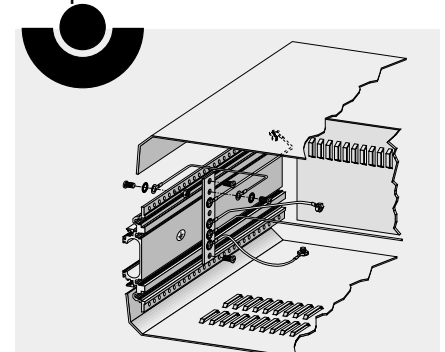
Item	Pc.	Description
1	2	Hinged feet
2	2	Rear base feet
3		Assembly material

Part no. (set)
615-019

Earth conductor set

Tested by the German Technical Committee for Electrical Engineering of the Professional Association of Precision Mechanics and Electrical Engineering, Cologne

Test point



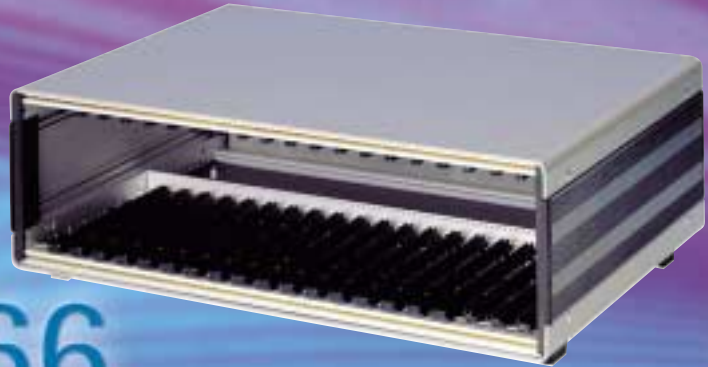
- for earth connection in compliance with VDE

U	Part no.
3	140-033
4	140-034
6	140-036
9	140-039



## The compact desktop and wall-mounted enclosure

The profi-set desktop enclosure 266 is characterized by its simple design.



# profi set 266



Sample configuration

The outer dimensions are incredibly small compared with the amount of interior room available. It is light-weight yet highly stable due to its aluminium extrusion side panels. The variety of standard sizes and the option of customizing the interior make this enclosure the ideal solution.

### Profi-set desktop enclosure 266

- compact construction
  - large installation space
  - limited outer dimensions
- removable top and bottom shells
- decorative, anodized aluminium extrusion side panels
- depth grids in 10mm increments
- with or without ventilation
- installation dimensions in compliance with IEC 297-3
- IP 20/30 degree of protection

Matching front panels

see p. 5.67

Matching plug-in modules

see p. 5.75



## Specifications

### Application:

for installing plug-in modules in compliance with IEC 297-3

### Construction:

The side panels consist of decorative aluminium extrusions with side universal mounting grids in 10mm increments. This design allows universal combination options for different card depths or additional module rail models.

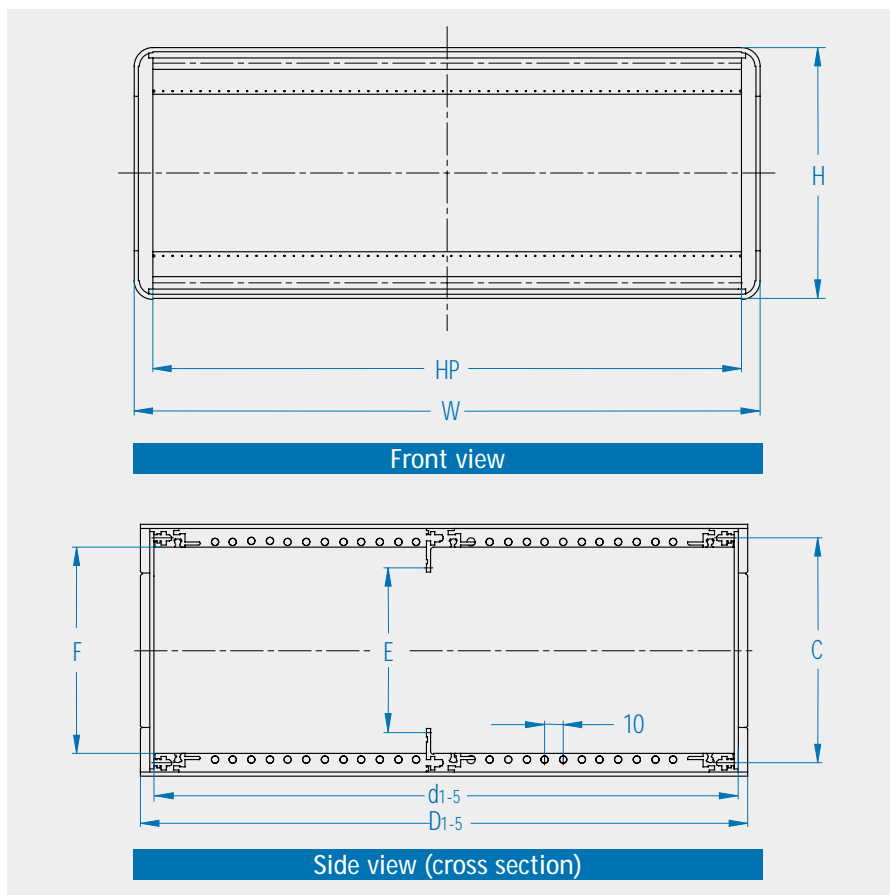
An enclosure can be constructed from stock parts, providing a solution for any application. The rear panel and enclosure shells are constructed of painted aluminium.

**Finish:** RAL 7035 light grey

**Degree of protection:** IP 20/30

**Delivery:** kit form, not assembled

**Standards:** installation dimensions in compliance with IEC 297-3



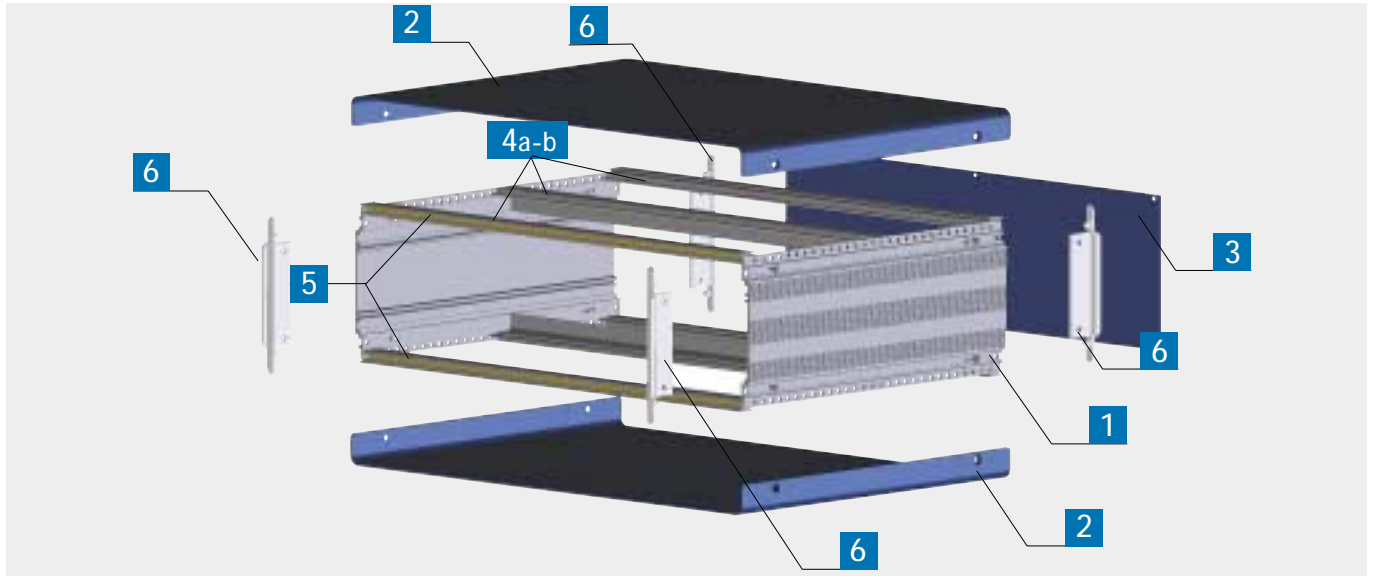
## Available sizes

U	HP	W mm	D <sub>1</sub> mm	D <sub>2</sub> mm	D <sub>3</sub> mm	D <sub>4</sub> mm	D <sub>5</sub> mm	H mm	C mm	E mm	F mm
2	84	448.0	240	280	320	360	460	92.5	78	-	68
	63	341.2	-	280	-	-	-				
	42	234.5	240	280	320	-	-				
	28	163.4	-	280	-	-	-				
3	84	448.0	240	280	320	360	460	137	122.5	90	112.5
	63	341.2	-	280	-	360	-				
	42	234.5	240	280	320	-	-				
	28	163.4	-	280	-	-	-				
4	84	448.0	240	280	320	360	460	181.5	167	-	157
	63	341.2	-	280	-	-	-				
	42	234.5	240	280	320	-	-				
	28	163.4	-	280	-	-	-				
5	84	448.0	240	280	320	360	460	226	211.5	-	201.5
	63	341.2	-	280	-	-	-				
	42	234.5	240	280	320	-	-				
	28	163.4	-	280	-	-	-				
6 double row	84	448.0	240	280	320	360	460	270,5	256	2 x 90	246
	63	341.2	-	280	-	-	-				
	42	234.5	240	280	320	-	-				
	28	163.4	-	280	-	-	-				

Note: D<sub>1-5</sub>: enclosure depths d: available enclosure depth d<sub>1-5</sub> = D<sub>1-5</sub> - 11.5mm



Included in delivery



Item	Description	2 U	3 U	4 U	5 U	6 U
1	Side panels	2	2	4	4	4
2	Top/bottom shell (ventilated/not ventilated)	2	2	2	2	2
3	Rear panel (ventilated/not ventilated)	1	1	1	1	1
4a	Module rail, standard, type 240-022	6	4	6	4	6
4b	Module rail with integrated mounting rail and notch, type 266-006	-	2	-	2	4
5	Threaded insert, M2.5	2	2	2	2	4
6	Cover bracket, front and rear (plastic)	4	4	8	8	8
7	Middle panel, side	-	-	2	2	2
8	Assembly material, incl. 4 base feet	1 set	1 set	1 set	1 set	1 set

Order information

Dimensions			IP 30					IP 20				
			without ventilation holes					with ventilation holes in bottom panel and rear panel				
U	HP	W mm	D = 240 mm	D = 280 mm	D = 320 mm	D = 360 mm	D = 460 mm	D = 240 mm	D = 280 mm	D = 320 mm	D = 360 mm	D = 460 mm
2	84	448.0	266-101	266-111	266-121	266-131	266-141	266-151	266-161	266-171	266-181	266-191
	63	341.2	-	266-112	-	-	-	-	266-162	-	-	-
	42	234.5	266-103	266-113	266-123	-	-	266-153	266-163	266-173	-	-
	28	163.4	-	266-114	-	-	-	-	266-164	-	-	-
3	84	448.0	266-201	266-211	266-221	266-231	266-241	266-301	266-311	266-321	266-331	266-341
	63	341.2	-	266-212	-	266-232	-	-	266-312	-	-	-
	42	234.5	266-203	266-213	266-223	-	-	266-303	266-313	266-323	-	-
	28	163.4	-	266-214	-	-	-	-	266-314	-	-	-
4	84	448.0	266-401	266-411	266-421	266-431	266-441	266-451	266-461	266-471	266-481	266-491
	63	341.2	-	266-412	-	-	-	-	266-462	-	-	-
	42	234.5	266-403	266-413	266-423	-	-	266-453	266-463	266-473	-	-
	28	163.4	-	266-414	-	-	-	-	266-464	-	-	-
5	84	448.0	266-701	266-711	266-721	266-731	266-741	266-751	266-761	266-771	266-781	266-791
	63	341.2	-	266-712	-	-	-	-	266-762	-	-	-
	42	234.5	266-703	266-713	266-723	-	-	266-753	266-763	266-773	-	-
	28	163.4	-	266-714	-	-	-	-	266-764	-	-	-
6 double row	84	448.0	266-501	266-511	266-521	266-531	266-541	266-601	266-611	266-621	266-631	266-641
	63	341.2	-	266-512	-	-	-	-	266-612	-	-	-
	42	234.5	266-503	266-513	266-523	-	-	266-603	266-613	266-623	-	-
	28	163.4	-	266-514	-	-	-	-	266-614	-	-	-



### Profi-set wall-mounting enclosure

- with integrated connection box
- IP 30 degree of protection
- mounting rail can be installed
- removable top and bottom covers

Matching front panels → see p. 5.67

Matching plug-in modules → see p. 5.75



### Specifications

#### Application:

for plug-in modules in compliance with IEC 297-3 with BUS rear wiring

#### Construction:

based on the profi set desktop enclosure 266

#### Finish:

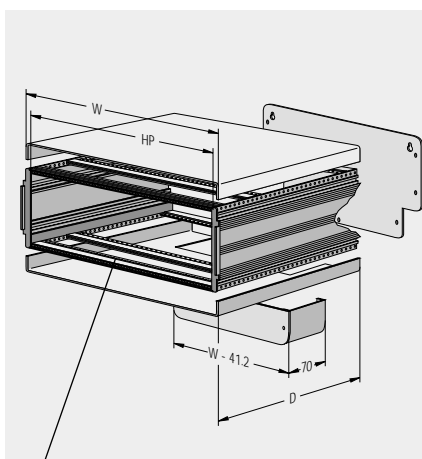
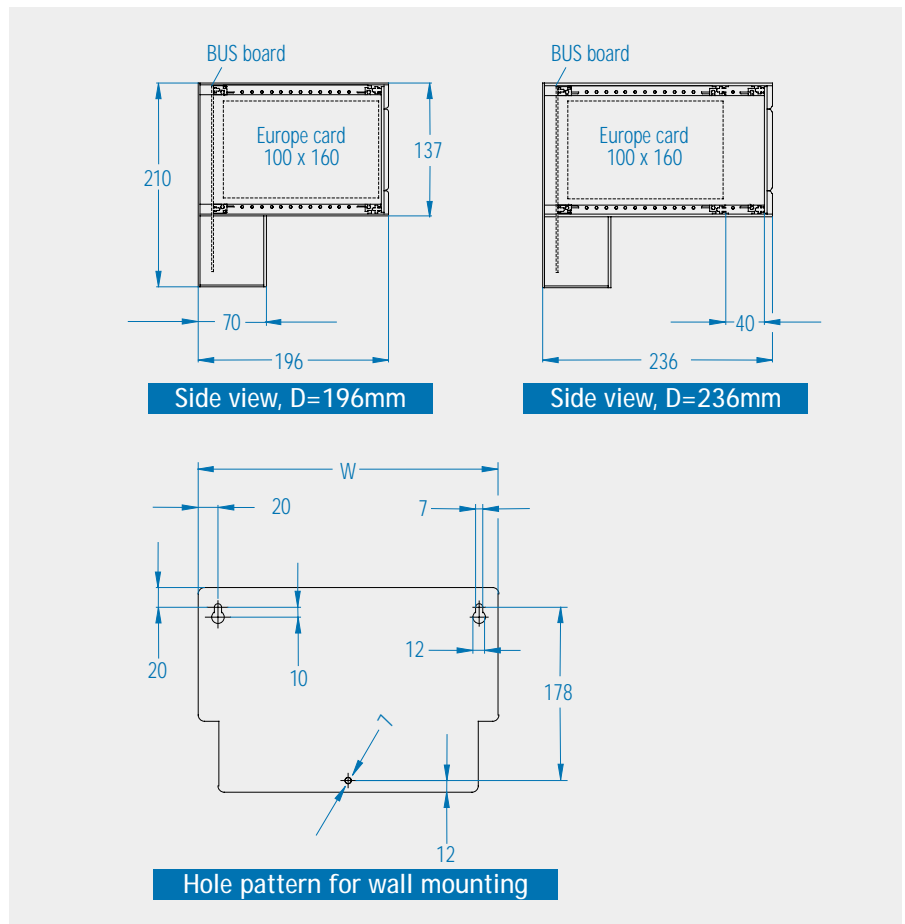
RAL 7035 light grey

#### Degree of protection:

IP 30

#### Delivery:

kit form, not assembled



Additional module rails set an additional 40mm towards the back for models with 236mm depth

### Order information

Dimensions		Part no.		
HP	W mm	D = 196mm	D = 236mm	Matching mounting rail
84	448	266-801	266-811	64-0236-10
63	341.2	266-802	266-812	64-0236-11
42	234.5	266-803	266-813	64-0236-12
28	163.4	266-804	266-814	64-0236-13



## The all-purpose enclosure

The profi-set enclosure system 267 is characterized by its extraordinary versatility.



# profi set 267

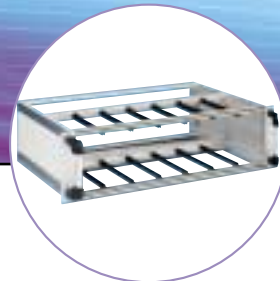
1 design principle - 3 models - 1 layout!



Profi-set desktop enclosure



19" profi-set plug-in enclosure



19" profi-set subrack

### profi-set enclosure system 267

- universal enclosure system, can be used as a
  - desktop enclosure
  - 19" plug-in enclosure
  - 19" subrack
- panels, front handles or 19" angle brackets can be mounted on the enclosure
- other installation widths and models are available on request
- IP 20/30 degree of protection in compliance with IEC 529
- installation dimensions in compliance with IEC 297-3
- Outer dimensions in compliance with IEC 297-1

Matching partial front panels → see p. 5.67

Matching plug-in modules → see p. 5.75

The compact construction allows the enclosure to be used as a desktop enclosure, 19" plug-in unit or 19" subrack. As your application needs change, you can use the available accessories to transform the enclosure without having to buy a new one.



## Specifications

### Application:

The universal profi-set enclosure system 267 is ideal for a variety of applications. Because of its special design, it can be used as a desktop enclosure, 19" plug-in enclosure and 19" subrack.

### Construction:

two stylish aluminium side extrusions with 10mm mounting grid, module rails, aluminium cover pieces (ventilated or solid) and extrusion finishing elements.

### Finish:

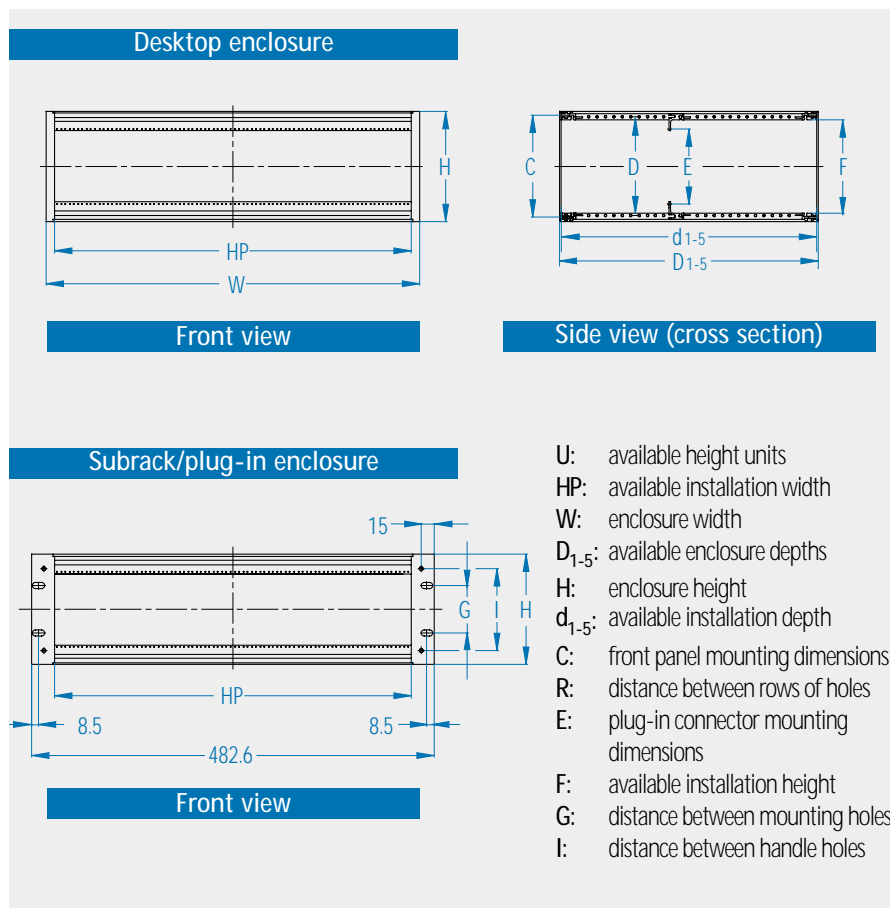
Top/bottom panel, cover strips and rear panel:  
RAL 7035 light grey  
Side panels: anodized

### Degree of protection:

IP 20/30

### Delivery:

kit form, not assembled



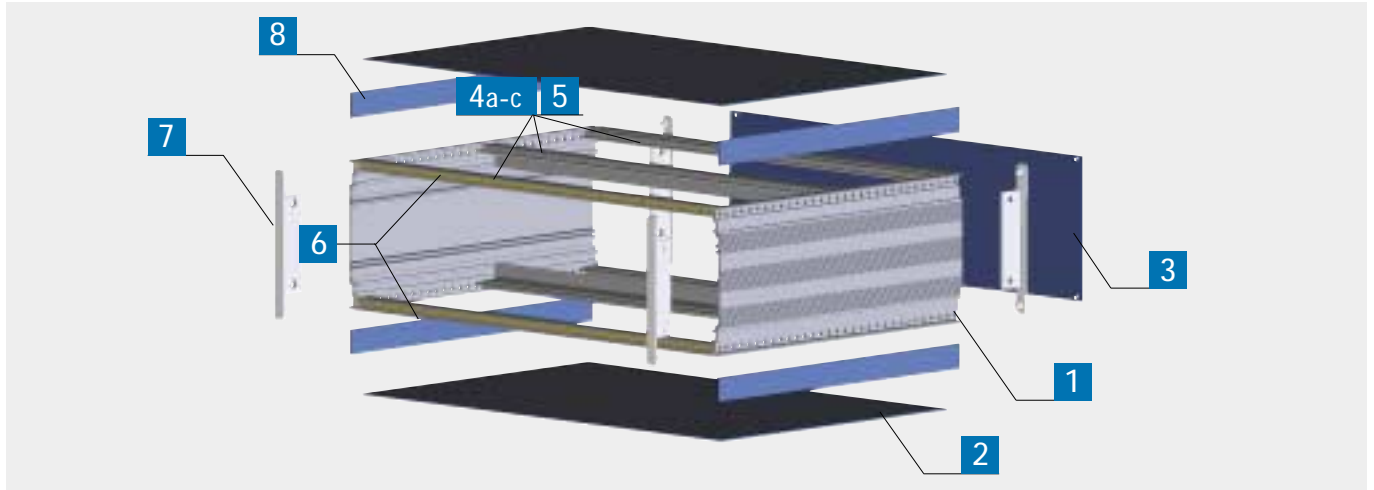
## Available sizes

U	HP	W mm	D <sub>1</sub> mm	D <sub>2</sub> mm	D <sub>3</sub> mm	D <sub>4</sub> mm	D <sub>5</sub> mm	H mm	C mm	R mm	E mm	F mm	G mm	I mm
2	84	448.0	231	271	311	351	451	88	78	75	-	68	-	53.5
	63	341.2	-	271	-	-	-							
	42	234.5	231	271	311	-	-							
	28	163.4	-	271	-	-	-							
3	84	448.0	231	271	311	351	451	132.5	122.5	118.5	90	112.5	57	98
	63	341.2	-	271	-	-	-							
	42	234.5	231	271	311	-	-							
	28	163.4	-	271	-	-	-							
4	84	448.0	231	271	311	351	451	177	167	164	-	157	101.5	142.5
	63	341.2	-	271	-	-	-							
	42	234.5	231	271	311	-	-							
	28	163.4	-	271	-	-	-							
5	84	448.0	231	271	311	351	451	221.5	211.5	208.5	-	201.5	146	187
	63	341.2	-	271	-	-	-							
	42	234.5	231	271	311	-	-							
	28	163.4	-	271	-	-	-							
6 double row	84	448.0	231	271	311	351	451	266	256	253	2 x 90	246	190,5	231.5
	63	341.2	-	271	-	-	-							
	42	234.5	231	271	311	-	-							
	28	163.4	-	271	-	-	-							

Note: D<sub>1-5</sub>: enclosure depths d: available enclosure depth d<sub>1-5</sub> = D<sub>1-5</sub> - 2.5mm



Included in delivery



Item	Description	2 U	3 U	4 U	5 U	6 U
1	Side panel	2	2	4	4	4
2	Top/bottom shell (ventilated/not ventilated)	2	2	2	2	2
3	Rear wall (ventilated/not ventilated)	1	1	1	1	1
4a	Module rail, standard, type 240-022	4	4	4	4	4
4b	Module rail with integrated mounting rail and notch, type 267-019	-	2	-	-	2
4c	Module rail, narrow, type 240-016	2	-	2	2	-
5	Support rail with integrated mounting rail	-	-	-	-	1
6	Threaded insert, M2.5	2	2	2	2	2
7	Cover bracket, front and rear (plastic)	4	4	8	8	8
8	Decorative strips, side	4	4	8	8	8
9	Assembly material, incl. 4 base feet	1 set	1 set	1 set	1 set	1 set

Order information

Dimensions			IP 20 with ventilation holes in floor panel and rear panel					IP 30 without ventilation holes				
			U	HP	W mm	D = 231 mm	D = 271 mm	D = 311 mm	D = 351 mm	D = 451 mm	D = 231 mm	D = 271 mm
2	84	448.0	267-151	267-161	267-171	267-181	267-191	267-101	267-111	267-121	267-131	267-141
	63	341.2	-	267-162	-	-	-	-	267-112	-	-	-
	42	234.5	267-153	267-163	267-173	-	-	267-103	267-113	267-123	-	-
	28	163.4	-	267-164	-	-	-	-	267-114	-	-	-
3	84	448.0	267-301	267-311	267-321	267-331	267-341	267-201	267-211	267-221	267-231	267-241
	63	341.2	-	267-312	-	-	-	-	267-212	-	-	-
	42	234.5	267-303	267-313	267-323	-	-	267-203	267-213	267-223	-	-
	28	163.4	-	267-314	-	-	-	-	267-214	-	-	-
4	84	448.0	267-651	267-661	267-671	267-681	267-691	267-601	267-611	267-621	267-631	267-641
	63	341.2	-	267-662	-	-	-	-	267-612	-	-	-
	42	234.5	267-653	267-663	267-673	-	-	267-603	267-613	267-623	-	-
	28	163.4	-	267-664	-	-	-	-	267-614	-	-	-
5	84	448.0	267-751	267-761	267-771	267-781	267-791	267-701	267-711	267-721	267-731	267-741
	63	341.2	-	267-762	-	-	-	-	267-712	-	-	-
	42	234.5	267-753	267-763	267-773	-	-	267-703	267-713	267-723	-	-
	28	163.4	-	267-764	-	-	-	-	267-714	-	-	-
6 single row	84	448.0	267-851	267-861	267-871	267-881	267-891	267-801	267-811	267-821	267-831	267-841
	63	341.2	-	267-862	-	-	-	-	267-812	-	-	-
	42	234.5	267-853	267-863	267-873	-	-	267-803	267-813	267-823	-	-
	28	163.4	-	267-864	-	-	-	-	267-814	-	-	-





Accessories

Cover bracket, plastic



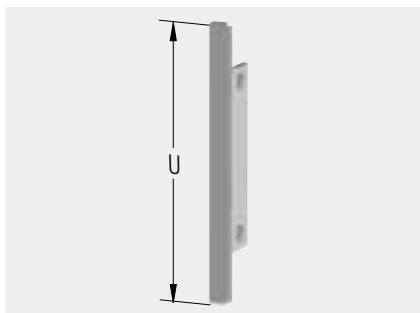
- for expanding the enclosure to a desktop enclosure (clips on)

**Material:** plastic

**Note:** Plastic cover brackets are already included with the basic enclosure!

U	H mm	Part no. (pair)
2	88	267-001
3	132.5	267-002
4	177	-
5	221.5	-
6	266	-

Cover bracket, aluminium

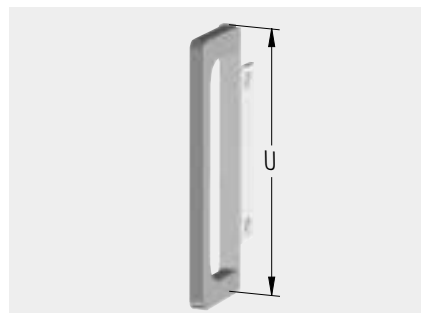


- for expanding the enclosure to a desktop enclosure (can be attached with screws)
- incl. assembly material

**Material:** anodized aluminium

U	H mm	Part no. (pair)
2	88	267-032
3	132.5	267-033
4	177	267-034
5	221.5	267-035
6	266	267-036

Cover bracket with handle

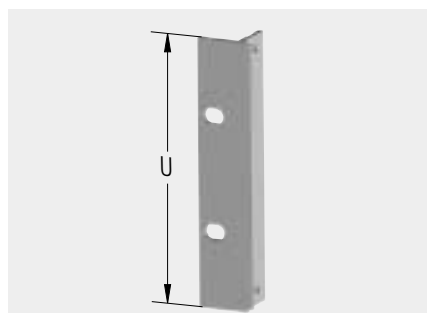


- for expanding the enclosure to a desktop enclosure (can be attached with screws)
- incl. assembly material

**Material:** anodized aluminium

U	H mm	Part no. (pair)
2	88	267-052
3	132.5	267-053
4	177	-
5	221.5	-
6	266	267-056

19" front bracket

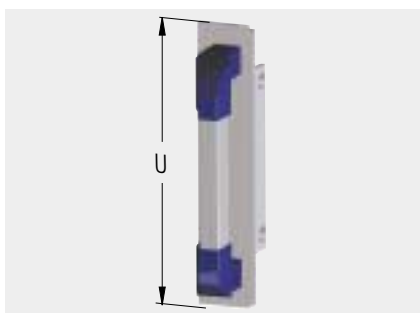


- for expanding the enclosure to a 19" plug-in enclosure or subrack
- incl. assembly material

**Material:** anodized aluminium

U	H mm	Part no. (pair)
2	88	267-012
3	132.5	267-013
4	177	267-014
5	221.5	267-015
6	266	267-016

19" front bracket with 3-piece handle

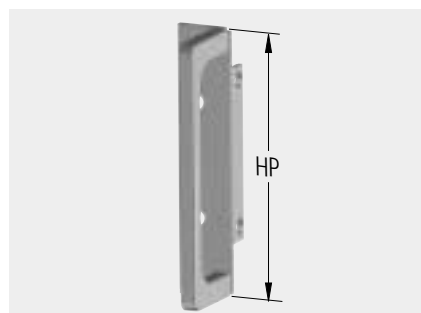


- for expanding the enclosure to a 19" plug-in enclosure or subrack
- incl. assembly material

**Material:** End piece, plastic  
Handle piece, anodized aluminium

U	H mm	Part no. (pair)
2	88	267-062
3	132.5	267-063
4	177	267-064
5	221.5	267-065
6	266	267-066

19" front bracket with aluminium handle



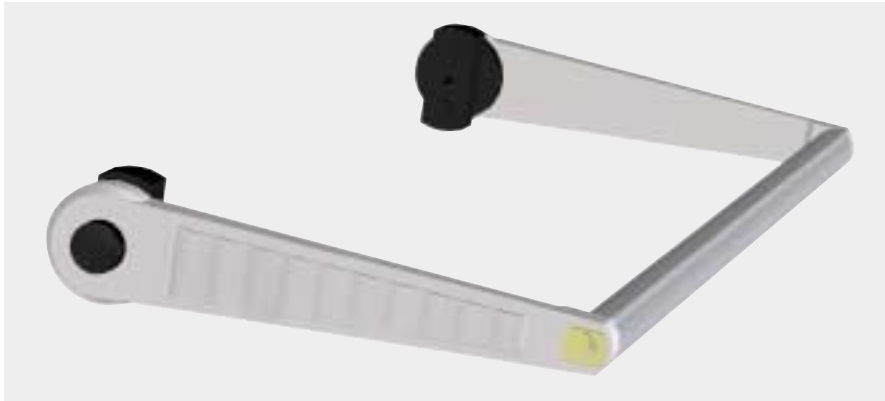
- for expanding the enclosure to a 19" plug-in enclosure or subrack
- incl. assembly material

**Material:** anodized aluminium

U	H mm	Part no. (pair)
2	88	267-072
3	132.5	267-073
4	177	-
5	221.5	-
6	266	267-076



Accessories



**Prop-up and carrying handle**

- can be used with all enclosures: Tamago, apraline, profi-set, Zenith
- suitable for all 3 U and 4 U enclosures
- handle can be set 30° by pressing a button to snap it into place

**Specifications**

**Application:**  
apra-norm's stylish prop-up and carrying handle can be used with all 19" and desktop enclosures. It is highly stable and has a concise design.

**Carrying capacity:** up to 50kg

**Material:**

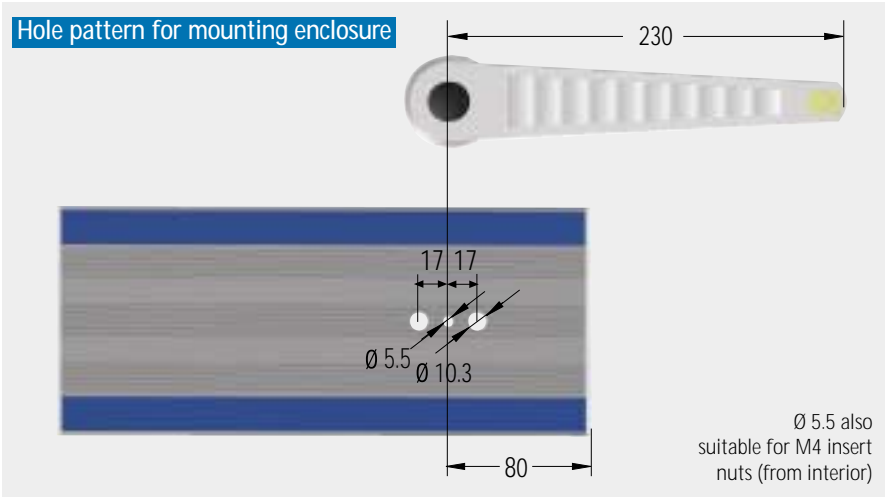
Handle extrusion: aluminium extrusion  
Metal handle, attachments, adapter: die-cast zinc

**Finish:**

Metal handle: RAL 9005 deep black  
Handle extrusion: anodized  
Button, screw covers: plastic, black

**Delivery:**

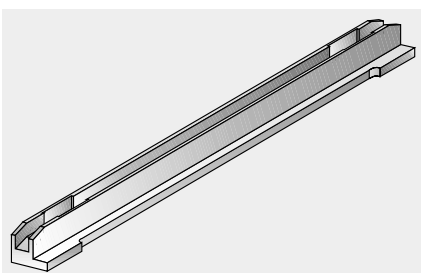
mounted to the enclosure (280)



Handle with adapter for enclosure models	Enclosure width		
	84 HP	63 HP	42 HP
266/267	26-6100-84	26-6100-63	26-6100-42
280	28-0100-84	28-0100-63	28-0100-42
285	28-5100-84	28-5100-63	28-5100-42

Other widths available on request.

**Card guide**



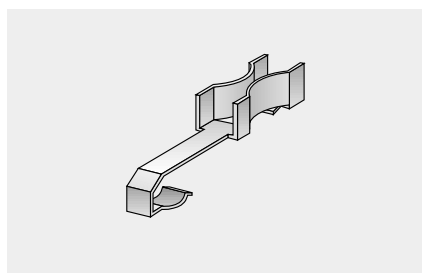
- for 160mm-long Europe cards

**Material:**

plastic, grey  
listed in compliance with UL 94 V-1

<b>Part no. (1 piece)</b>
240-401

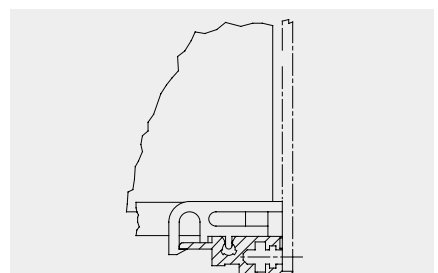
**Contact spring for card guide**



- creates a conductive connection between the PCB and module rail
- clips onto card guide 240-401

<b>Part no. (1 piece)</b>
24-0400-00

**Card securing device**



- for fastening single plug-in cards to prevent them from falling out
- snaps into place easily

<b>Part no. (1 piece)</b>
250-716



## TFT display enclosure 381



a variety of uses



**A** with prop-up and carrying handle



**B** wall-mounted



**C** mounted to the support arm system

The new TFT display enclosure system protects your sensitive TFT and LCD displays from the hazards of rough industrial environments, for example dust, spraying water and mechanical influences.

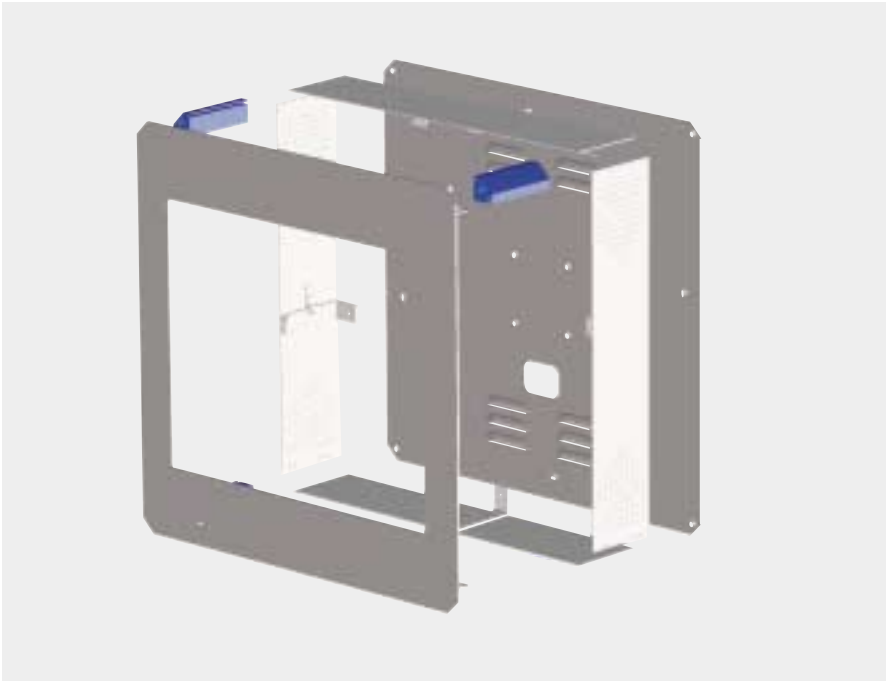
The modular construction allows the enclosure to be used in a variety of areas, for example as a desktop enclosure, wall-mounting enclosure or mounted on a support arm system.

### TFT display enclosure 381

- suitable for all traditional TFT displays
- 3 models available:
  - A** with prop-up and carrying handle
  - B** for wall mounting
  - C** mounted to the support arm system
- stepless depth adjustment
- can adjust easily to displaysize
- also available as a 19" enclosure (see the "19" Plug-in Units" chapter on p. 4.22)



Specifications



**Application:**  
for TFT displays up to 18.1"

**Finish:**  
Cover parts:  
RAL 7035 light grey  
Extrusions:  
RAL 5014 pigeon blue

**Delivery:**  
assembled

See the other members of the apraTFT family of products:

- apraTFT 19" plug-in units
see p. 4.22
- apraTFT terminals
see p. 11.4

Order information

Models TFT size	with prop-up and carrying handle <b>A</b>	for wall mounting <b>B</b>	for mounting on support arm system <b>C</b>
up to 12.1"	38-1122-00	38-1121-00	38-1123-00
13"-15.1"	38-1152-00	38-1151-00	38-1153-00
17"-18.1"	38-1182-00	38-1181-00	38-1183-00
Included in delivery	Enclosure with prop-up and carrying handle	Enclosure with wall-mounting material	Enclosure with rear wall ready to be mounted on support arm

**Note:** The apraTFT display enclosure is also available with a safety glass panel!

Accessories

Support arm



Support arm for mounting on our base cabinet (see p. 11.4)

Hinged arm



(see p. 11.8 for more information)

**Support arm:**

- support pivots on a horizontal axis
- can be mounted at different heights
- incl. assembly material

**Hinged arm:**

- hinges steplessly on 3 axes

Description	Part no.
Support arm	38-5001-00
Hinged arm	38-5009-00



Visions become reality ...



Desktop enclosure, 6 HP

- based on the profi-set enclosure system 267



Visions become reality ...



Plastic desktop enclosure

- for medical technology