

Display Enclosures

For Visualized Information & Communication



... the perfect shell for valuable electronics



Display enclosure - communicating and visualizing information

Visualizing information is important in public transportation, whether in railway stations, at bus stops or in airports.

Sample applications



Travellers would often be lost if they did not have this service to provide them with sufficient travel information. Every operator must therefore strive to guarantee this information in the ideal form.

Thanks to their flexible design, apra-norm's display enclosures are ideal for all current display technologies, such as flip boards, LED, LCD, CRT, TFT, PD or flip dots.

Display enclosures

- flexible use in
 - advertising technology
 - information technology
 - sports facilities
- for indoor and outdoor use
- stylish frame design
- with single- or double-side display field
- can be mounted upright or hanging
- non-glare plexiglass, tempered glass or laminated safety glass panels
- customized solutions
- standard models are available
- up to IP 54 degree of protection
- corrosion-protected fixtures
- light aluminium design
- modular construction



Project reference list

- Duisburg underground
- Bologna airport
- Chemnitz bus station
- Aue bus station
- Schweinfurt bus stop displays
- Weiden bus station
- Bautzen bus station
- Borkum railway
- Tronheim railway
- Suhl bus station
- Emsland transrapid test facility
- Schwarzenberg bus station
- Remscheid bus station
- Schöllgrippen bus stop displays
- Bangkok local trains
- Gera bus station
- Zwickau bus stop displays
- Dippoldiswalde bus station
- Munich underground railway
- Jena bus station
- Meissen bus station
- Salt Lake City Winter Olympics - speed skating, ski jump
- World ski championships in Oberstdorf
- Four Hills ski jumping tournament



Specifications

Construction:

solid aluminium enclosure consisting of enclosure body and doors; hinged at the top and opens using gas springs

Finish:

Case:

RAL 9006 white aluminium

Door:

RAL 5022 midnight blue

(other colours available on request)

Material:

Aluminium panel/extrusions

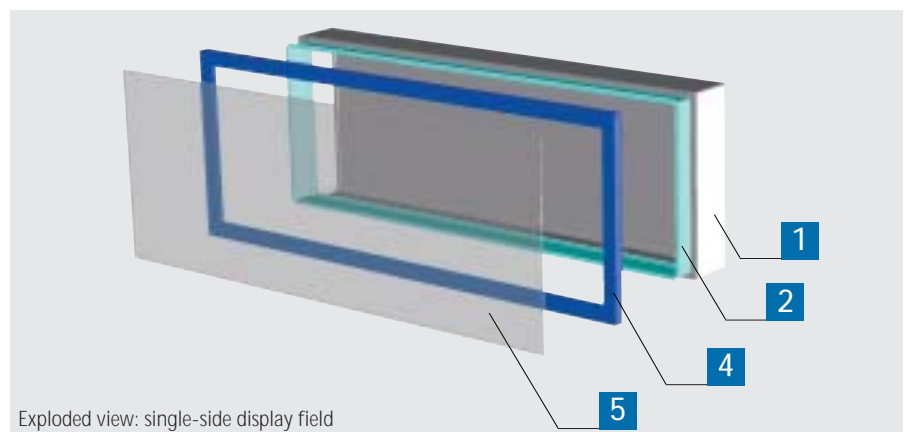
(other materials, e.g. stainless steel, available on request)

Degree of protection:

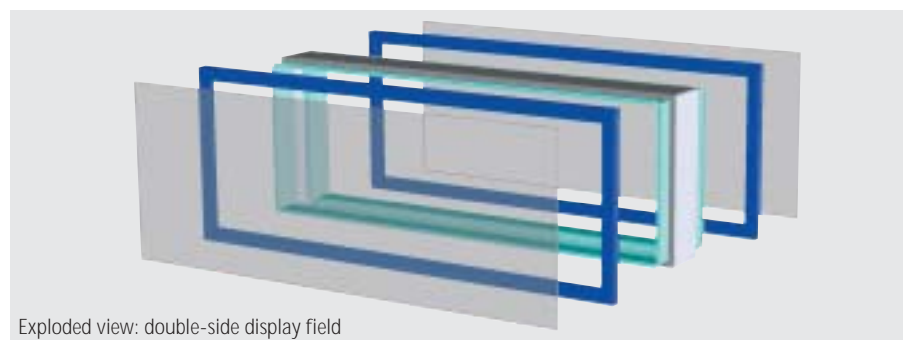
IP 54

Delivery:

assembled



Exploded view: single-side display field



Exploded view: double-side display field

Order information

- Case with single-side display field

H x W x D mm	Part no.
1300 x 480 x 270	38-0911-00
1880 x 770 x 270	38-0915-00

- Case with double-side display field

H x W x D mm	Part no.
1300 x 480 x 440	38-0921-00
1880 x 770 x 440	38-0925-00

Included in delivery

Item	Pc.	Description
1	1	Case cover
2	2/1	Frame sections (front and rear)
3	4	DIN rails (not shown)
4	2/1	Doors

Item	Pc.	Description
5	2/1	laminated safety glass panels
6	8/4	Safety corners (not shown)
7	4/2	Gas springs (not shown)
8		Assembly material

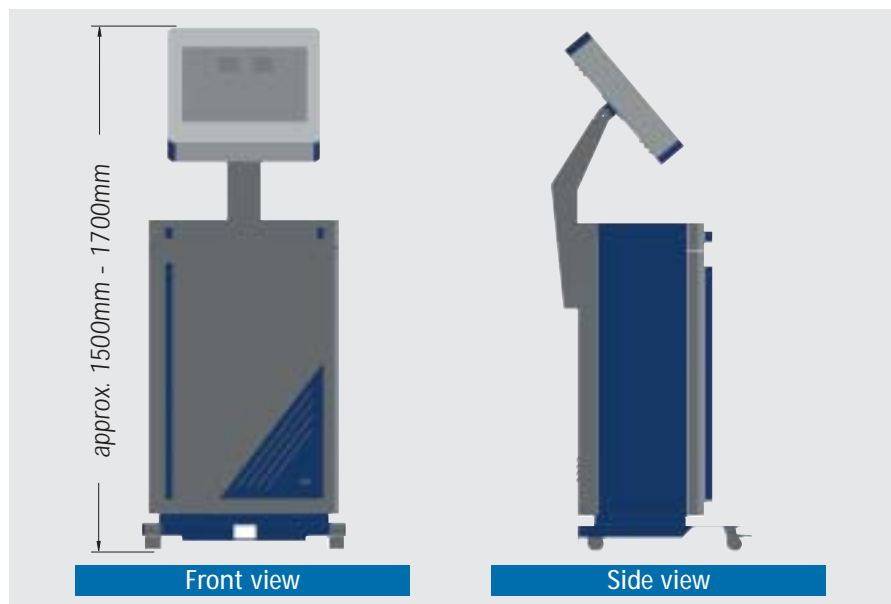


apraTFT

TFT displays are smaller, economical and have higher image quality; they hold their own against high-volume CRT monitors. Our new apraTFT group of products has adopted this trend and offers a modular construction system, from which you can select the optimum solution for your display and operating device needs.



Specifications



TFT control and info terminal

- universal use in manufacturing, storage and administrative areas
- for data recording, process and machine control, interactive information from employees and visitors, and much more



Individual configuration:

Design your own customized TFT control and info terminal.
Select your required components one at a time.

Application:

holds TFT display up to 18.1" in the modular case and any model PC, input device optional

Construction:

Our standard terminal base cabinet has a stable welded-frame design with clean lines. An extractable PC shelf and the optional keyboard tray make operation easy. The extra shelf above the PC creates storage space.

The monitor, which matches the base cabinet, has a steplessly adjustable width, height and depth thanks to its corner shape. The standard model can hold a TFT display up to 18.1" in size. The monitor support has an adjustable height and can tilt. A hinged arm can also be used.

Finish:

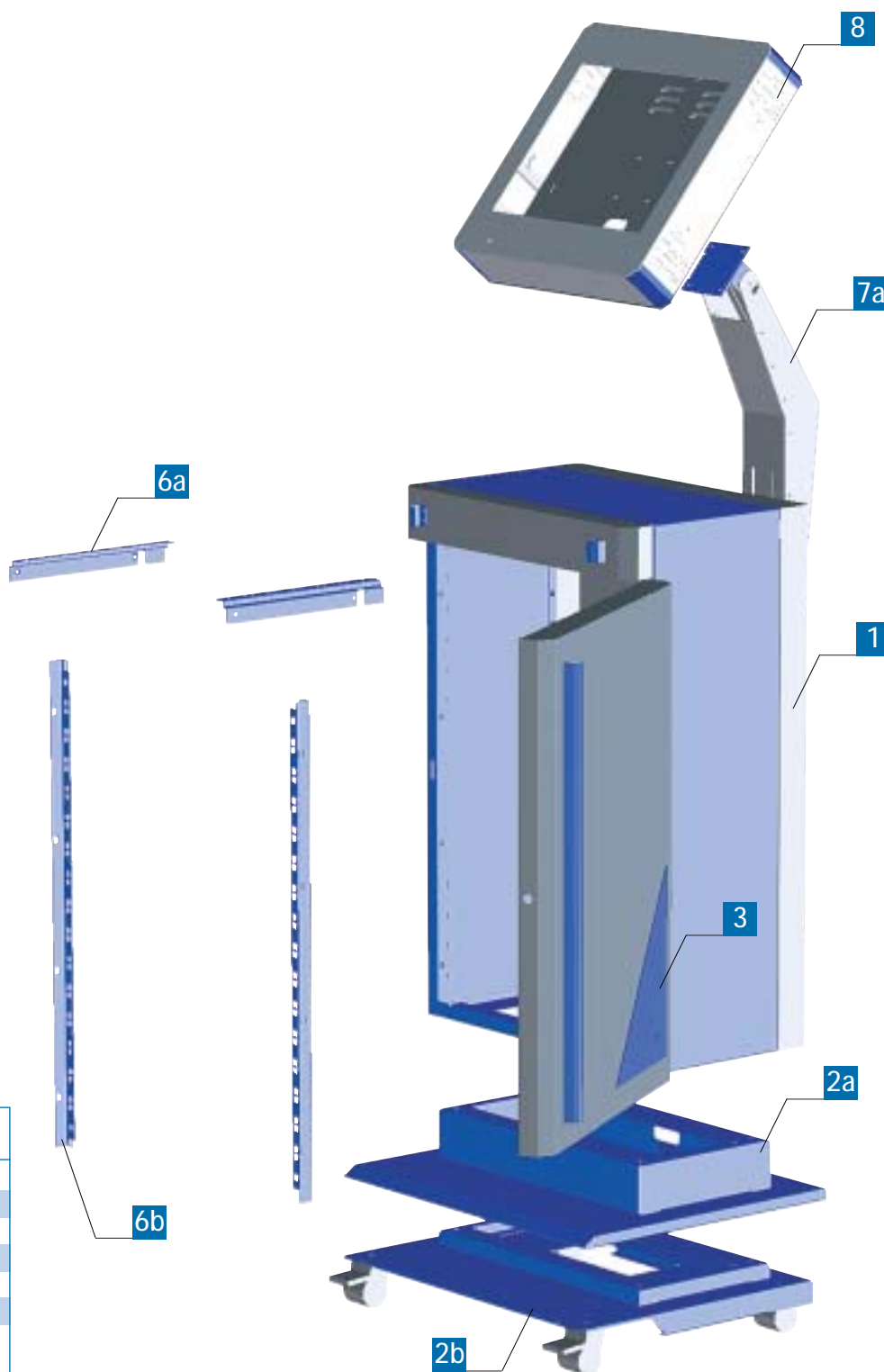
RAL 7035 light grey
RAL 5014 pigeon blue
(see figure)

Material:

Aluminium panel/extrusions
(other materials, e.g. stainless steel, available on request)

Delivery:

assembled



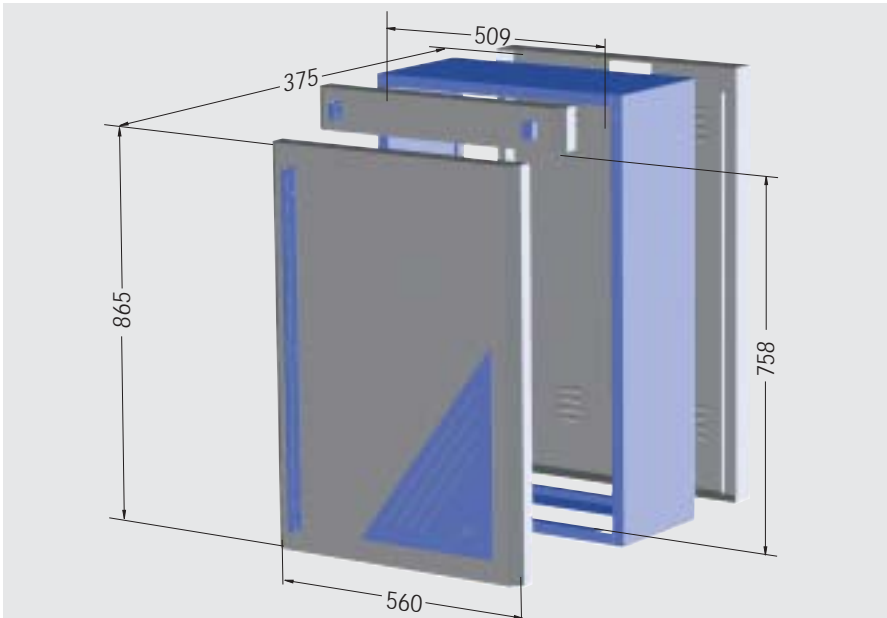
Item	Description
1	Base cabinet
2a	Stationary base
2b	Base with castors
3	Decorative panels
4a	Shelf, fixed (not shown)
4b	Shelf, extractable (not shown)
5	Keyboard tray with mouse area (not shown)
6a	19" 6 U expansion kit, horizontal
6b	19" 16 U expansion kit, vertical
7a	Support arm
7b	Hinged arm (not shown)
8	Display enclosure
9	Desktop (not shown)



384 • TFT control and info terminal



1 Base cabinet



- basic rack with ventilated rear wall, front door and front panel with handles
- stable welded-frame construction
- locking front door

Application:

for installing any model PC and other components such as a printer, keyboard, etc.

Finish:

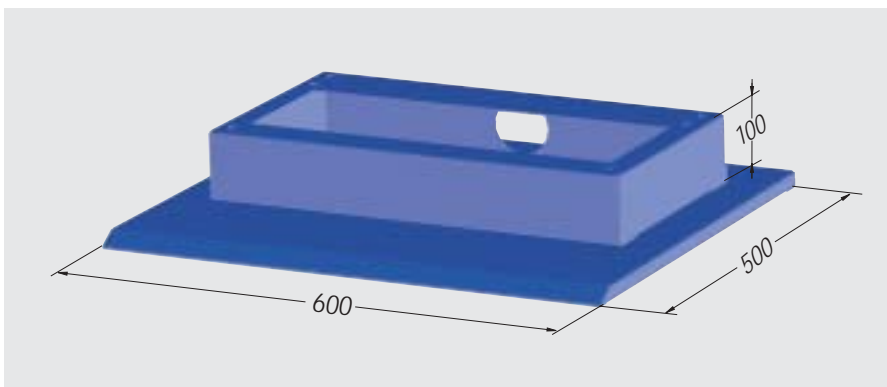
Rack: RAL 5014 pigeon blue
Front door and panel:
RAL 7035 light grey

Delivery:

assembled

Part no.
38-4000-00

2 Base



2a Stationary base

- for securely supporting the apraTFT terminal

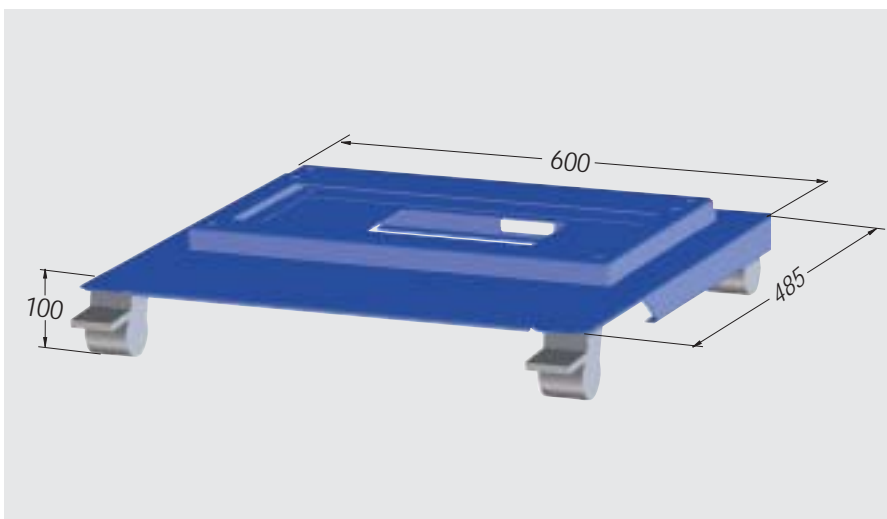
Finish:

RAL 5014 pigeon blue

Delivery:

assembled

Part no.
38-4001-00



2b Base with castors

- for TFT terminal mobile use
- 2 swivel castors with brake, front
2 rigid castors, rear
carrying capacity: 40-60kg per castor

Finish:

RAL 5014 pigeon blue

Delivery:

assembled

Part no.
38-4002-00



3 Decorative panels



- front decoration for mounting on the door of the base cabinet
- we will prepare your customized decorative panel with your company's logo, for example.

Just call us:
Tel.: +49 3 71 28 12 4-0

Plug & play module

- includes:
 - power strip with shock-proof plug
 - earthing kit

Part no.
38-4009-00

Part no.
38-4010-00

4 Shelf, fixed

- holds a PC tower or desktop case
- organize the remaining storage room in the base cabinet any way you like; for printers, manuals, document storage and more
- incl. assembly material

Finish:
RAL 5014 pigeon blue

Part no.
38-4003-00

4 Shelf, extractable

- holds a PC
- pulls out to provide unblocked access to plugs and connections
- incl. assembly material

Finish:
RAL 5014 pigeon blue

Part no.
38-4004-00

5 Keyboard tray with mouse area

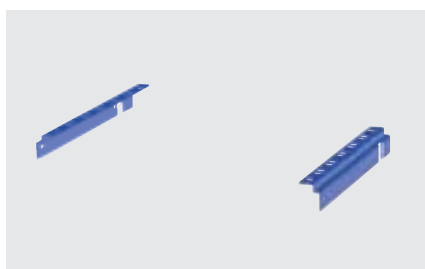
- mouse area pulls out to the side
- Height: 82mm
- protected storage of keyboard
- creates space on the work surface
- incl. assembly material

Finish:
RAL 7035 light grey

Part no.
38-4005-00

6 19" expansion kit, 6 U/16 U

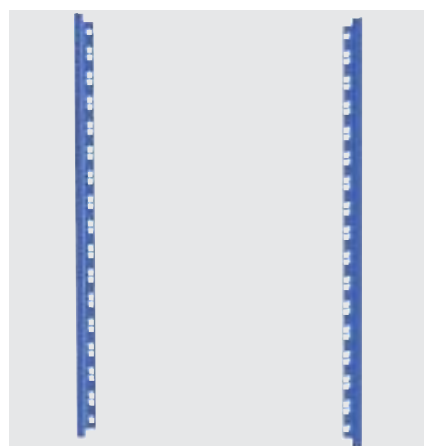
6a 19" expansion kit, 6 U



- horizontal installation for hanging a 19" computer plug-in unit with a height up to 6 U and depth up to 600mm

Description	Part no. (pair)
6 U horizontal	38-4006-00

6b 19" expansion kit, 16 U

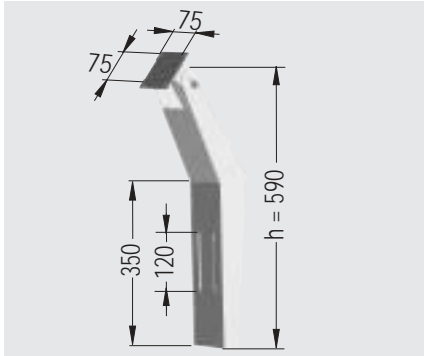


- vertical installation for mounting a subrack, Hard Box (see p. 4.42) or customized hardware components with depth up to 300mm

Description	Part no. (pair)
16 U vertical	38-4007-00



7 Support arm/hinged arm



7a Support arm

- sheet steel solution for mounting on our base cabinet
- hinge for tilting the display
- adjustable height at the point of connection with the base cabinet
- our inexpensive alternative to the hinged arm **7b**

Finish:
RAL 7035 light grey

Part no.
38-5001-00



7b Hinged arm

- hinges steplessly on 3 axes
- gas springs balance weight and allow the display to be adjusted easily
- incl. assembly material and operating instructions

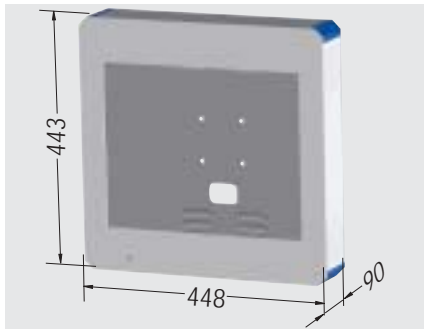
Carrying capacity: approx. 12.7kg

Finish: grey

Note: If you require more advanced solutions in the area of support arm systems, we would be happy to refer you to a competent partner!

Part no.
38-5009-00

8 Display enclosure



- ready for mounting support arm
- for 13"-18.1" TFT displays
- safety glass pane optional
- See **Chapter 6, p. 6.27** for more information.

Description	Part no.
for 13"-15.1" TFT displays	38-1153-00
for 17"-18.1" TFT displays	38-1183-00

9 Desktop

- for the top of the base cabinet

Finish:
similar to RAL 7035 light grey

Part no.
38-4011-00

We also offer ...

19" TFT display plug-in units



see Chapter 4 "19" Plug-in Units" see p. 4.22

19" TFT plug-in units for monitors



see Chapter 4 "19" Plug-in Units" see p. 4.23

TFT display enclosure with mounting and carrying arm



see Chapter 2 "Desktop Enclosures" see p. 6.27

We would also be happy to develop customized solutions based on our apraTFT terminal, for example with new design elements and colours, a touchscreen, standard or stainless steel keyboards, increased security requirements, etc. Just ask us-we would be happy to assist you.



VARIRack info terminal

- stylish and elegant design
- 2 models are available:
 - upright terminal
 - wall-mounted terminal
- 100 text blocks with a timer function, (text blocks appear automatically at pre-set times)
- various display effects
- service life > 100,000 hours of operation
- text can be centred in rows or on entire page
- antireflex Lexan front panel
- RS 232/RS 485 (RS 422) serial interface
 - network compatible
- 9600/19200 baud modem interface
- photoelectric cell with super-bright individual LED's (for automatically controlling brightness)
- operates with Windows 95, 98, 2000, NT, XP
- easy-to-use Windows operating software incl. 3m PC control cable
- 5 x 7 pixel font or 10 x 7 wide font
- back-lit logo field (dimensions approx. 550mm x 120mm)
- factory-wired with 220V power cable
- custom symbols possible
- CE-tested
- font size 30mm > can be read at distances of up to 15m
- temperature sensor and display can be connected
- available LED displays:
 - normal brightness/bright/super-bright



Specifications

Application:

for use as a welcome and informational display at the reception of companies, public buildings, hotels, showrooms, etc.

Finish:

Terminal:
RAL 9007 grey aluminium
Decorative extrusions:
RAL 5014 pigeon blue

Order information

Description	Dimensions (H x W x D) mm	Rows	Characters per row	Visible char. per terminal	Memory capacity/characters	Stored pages	Part no.
Wall-mounted, type I	720 x 320 x 75/95	4	20	80	8.000	1.000	31-6981-00
Wall-mounted, type II	720 x 480 x 75/95	4	20	80	8.000	1.000	31-6982-00
Upright, type III	720 x 800 x 75/95	8	20	160	16.000	500	31-6983-00
Upright, type IV	720 x 1800 x 75/95	8	20	160	16.000	500	31-6984-00



Customized TFT control and info terminals



Visions become reality ...



Control and info terminal

- elegant stainless steel design with 18.1" flat screen, keyboard and space for standard tower PC

Card terminal with payment function

- with 12.1" TFT display, PIN pad, card reader for EC and chip cards, issuing receipts
- the base cabinet has sufficient and well-protected space for internal components such as a PC and printer