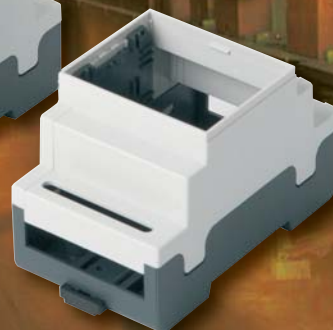




Apra Rail DB



... the perfect shell for valuable electronics



apraRail DB Serie

- rugged electronic enclosure (modular case) consisting of bottom part, top **1** p.c. board fixing **2** and mounting clips **3** for top hat rail or wall mounting
- all-purpose for building services and security engineering, measuring and control technology as well as automation
- different requirements like cut-outs, ventilation or displays can be easily fulfilled by mechanical customisation or even by adaption of the tool
- snap-in front panel available in grey or transparent version
- safe hold of horizontally or vertically mounted p.c. board due to separate fixings which may be used in various positions
- detailed information can be downloaded at www.apra-norm.com



Dimension W x H x D:

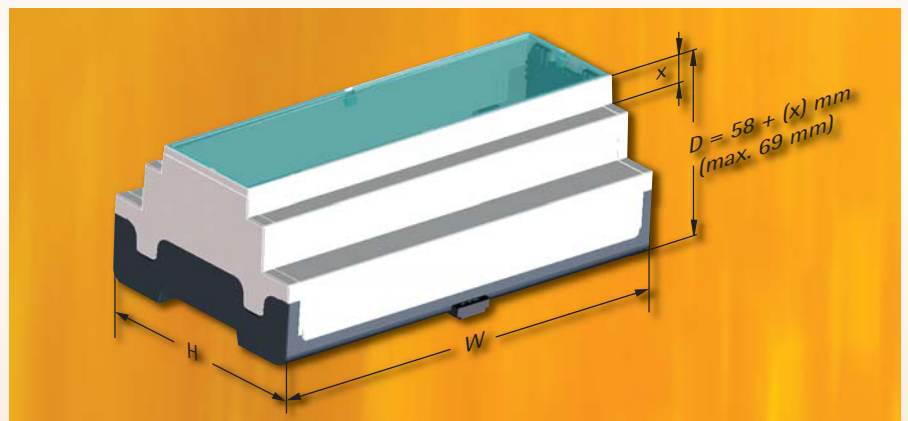
DB 2 Modules: 36,0 x 90 x 58 mm
(max. 69 mm)

DB 3 Modules: 53,5 x 90 x 58 mm
(max. 69 mm)

DB 4 Modules: 72,0 x 90 x 58 mm
(max. 69 mm)

DB 6 Modules: 107 x 90 x 58 mm
(max. 69 mm)

DB 9 Modules: 160,6 x 90 x 58 mm
(max. 69 mm)



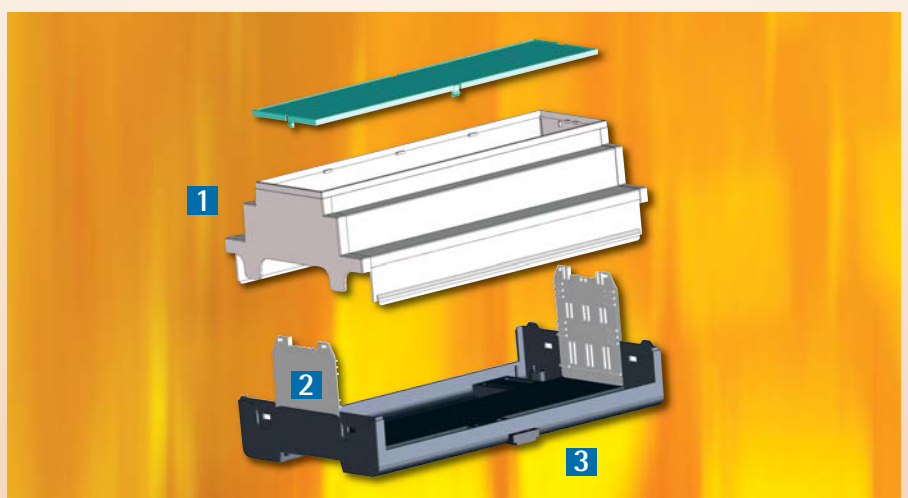
Material: Polycarbonate UL94V-0

Finish: top shell light grey RAL 7035
bottom shell anthracite grey RAL 7016

Special depths, colours or customisation on request! Further sizes will follow.

Delivery

Pos.	Pc.	Description
1	1	apraRail DB, consisting of top and bottom shell
2	2	p.c. board fixing
3	3	mounting clips



Order information

Enclosure	Ventilation	Type	2 Modules	3 Modules	4 Modules	6 Modules	9 Modules
closed	ventilated	Standard	449-320-50	449-330-50	449-340-50	449-360-50	449-370-50
		for terminals	449-320-55	449-330-55	449-340-55	449-360-55	449-370-55
	not ventilated	Standard	449-320-40	449-330-40	449-340-40	449-360-40	449-370-40
		for terminals	449-320-45	449-330-45	449-340-45	449-360-45	449-370-45
open for frontpanels	ventilated	Standard	449-320-60	449-330-60	449-340-60	449-360-60	449-370-60
		for terminals	449-320-65	449-330-65	449-340-65	449-360-65	449-370-65
	not ventilated	Standard	449-320-30	449-330-10	449-340-10	449-360-00	449-370-00
		for terminals	449-320-35	449-330-15	449-340-15	449-360-05	449-370-05

Front panels for apraRail DB

- snap-in front panel for apra Rail DB series
- secure fastening due to sturdy clips

Front panel dimensions WxHxD:

for DB 2 Modules: 34 x 41,6 x 2,5 mm

for DB 3 Modules: 51,4 x 41,6 x 2,5 mm

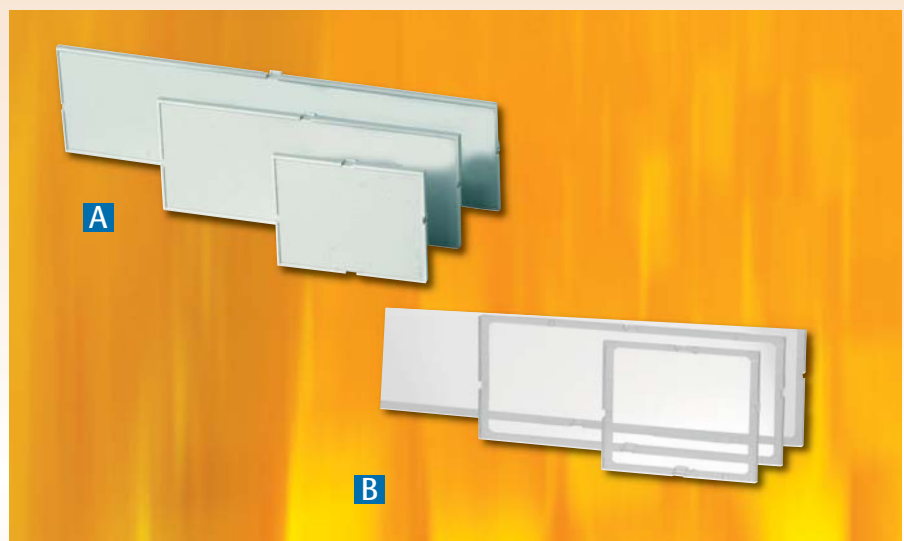
for DB 4 Modules: 69,8 x 41,6 x 2,5 mm

for DB 6 Modules: 104,7 x 41,6 x 2,5 mm

for DB 9 Modules: 158,5 x 41,6 x 2,5 mm

Material: Polycarbonate UL94V-0

Special colours or customisation on request!



Order information

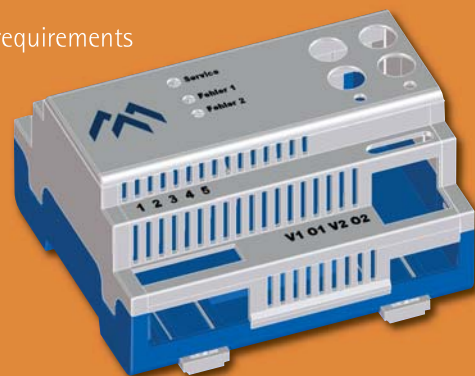
	Description	2 Modules	3 Modules	4 Modules	6 Modules	9 Modules
A	Front panel apraRail DB, RAL 7035 light grey	449-320-01	449-330-01	449-340-01	449-360-11	449-370-11
B	Front panel apraRail DB, transparent	449-320-02	449-330-02	449-340-02	449-360-12	449-370-12

Individual adaptation? No problem!

The enclosures of the apraRail DB series may be easily adapted to your requirements such as cutouts for terminals, ventilation slots or displays. Almost infinite possibilities!


- ✓ mechanical treatment
- ✓ modification of tools
- ✓ printing and front foils

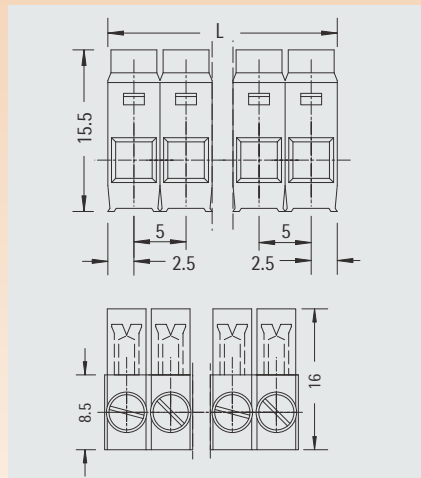
We will be pleased to assist you with the configuration of your perfect apraRail DB enclosure - just ask us!






Pluggable terminal strip

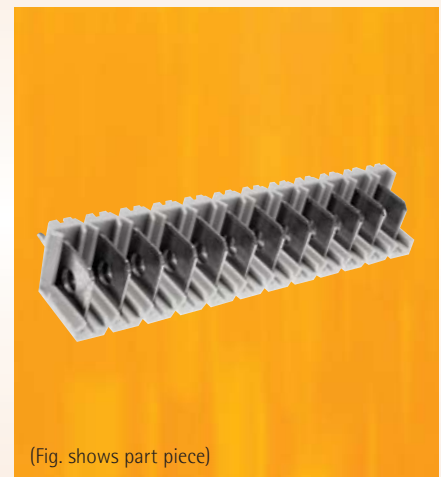
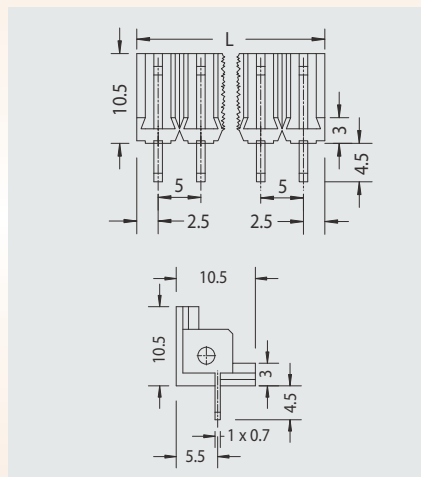
Nominal voltage: 380V
Nominal current: 13,5A
Cross section: max. 4 mm²
Material: Lexan grey, flammability tested
 acc. to UL 94-V0
Insulating resistance: >5 MOhm
Working temperature: -20°C up to 125°C, 160°C temporary
Approval: UL, , CE conformity



Description	No. of contacts	Length L mm	Raster mm	Order no.
Pluggable terminal strip	36	180	5,0	449-410-01

Terminal pin

Nominal voltage: 380V
Nominal current: 13,5A
Material: Lexan grey, flammability tested acc. to UL 94-V0
Insulating resistance: >5 MOhm
Working temperature: -20°C up to 125°C, 160°C temporary
Approval: UL, , CE conformity



Description	No. of contacts	Length L mm	Raster mm	Order no.
Terminal pin	36	180	5,0	449-410-02

Polarising Clips

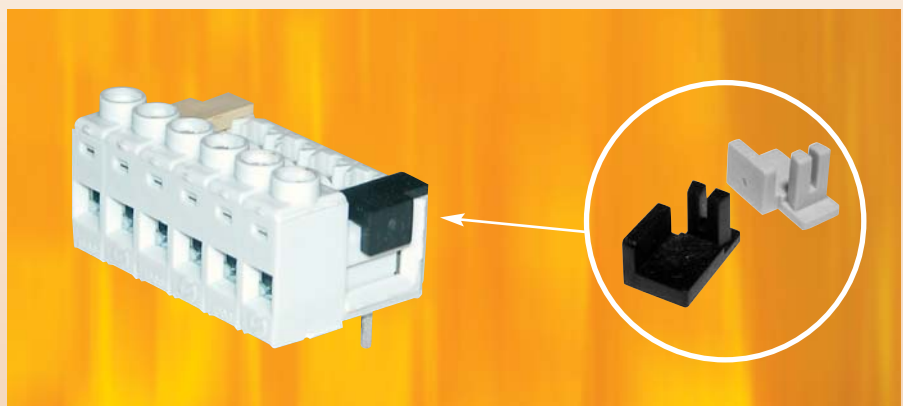
- ensures correct vertical or horizontal orientation of pluggable terminal strip

Material: Lexan grey, flammability tested acc. to UL 94-V0


Working temperature: -20°C up to 125°C, 160°C temporary

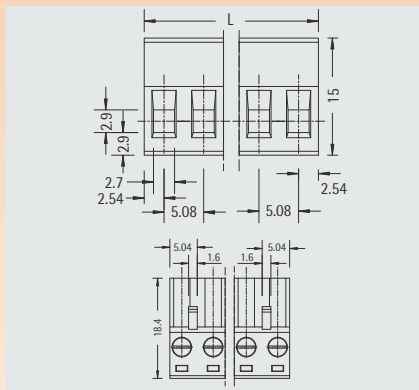
Approval: UL, , CE conformity

Order no. (pair)
449-410-03




Pluggable terminal strip

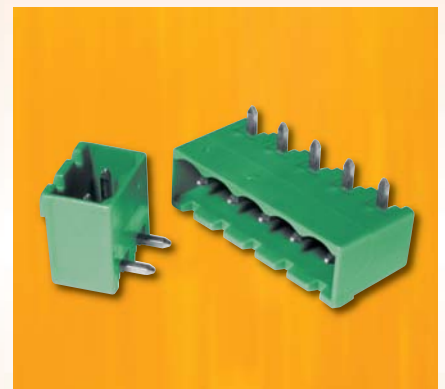
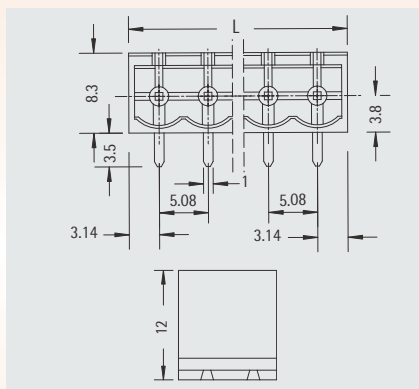
Nominal voltage: 380V
Nominal current: 12A
Cross section: max. 2,5 mm²
Material: PA66 green, flammability tested acc. to UL 94-V0
Insulating resistance: >5 MΩm
Working temperature: -20°C up to 125°C, 160°C temporary
Approval: UL, , VDE, CE conformity



Description	No. of contacts	Length L mm	Raster mm	Order no.
Pluggable terminal strip	3	15,24	5,08	449-420-03
Pluggable terminal strip	6	30,48	5,08	449-420-06
Pluggable terminal strip	9	45,72	5,08	449-420-09
Pluggable terminal strip	12	60,96	5,08	449-420-12

Bended pin terminal

Nominal voltage: 380V
Nominal current: 12A
Material: PA66 green, flammability tested acc. to UL 94-V0
Insulating resistance: >5 MΩm
Working temperature: -20°C up to 125°C, 160°C temporary
Approval: UL, , VDE, CE conformity



Description	No. of contacts	Length L mm	Raster mm	Order no.
Bended pin terminal	3	15,24	5,08	449-430-03
Bended pin terminal	6	30,48	5,08	449-430-06
Bended pin terminal	9	45,72	5,08	449-430-09
Bended pin terminal	12	60,96	5,08	449-430-12

Further enclosure variations for top hat rail

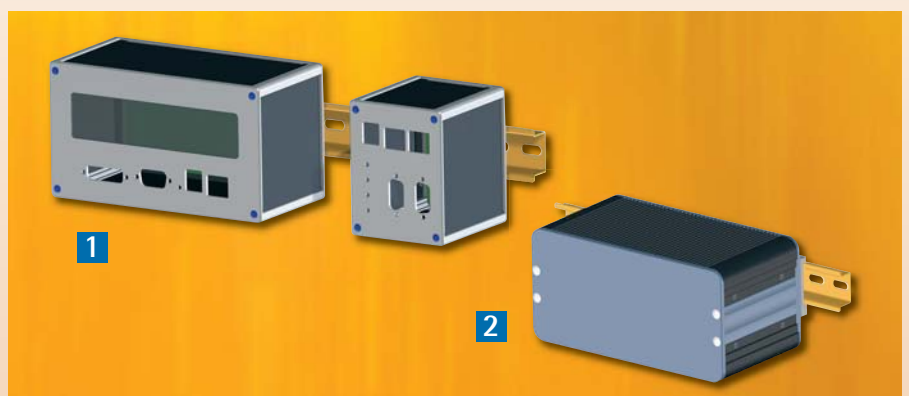
1 RAIL 414

- flexible dimensions and very sturdy - the adaptable enclosure solution

2 profi-set 264 cool

- enclosure solution with heat dissipating aluminium extrusions for heated surroundings

Ask us for your individual top hat rail enclosure solution - we will be pleased to advise you!

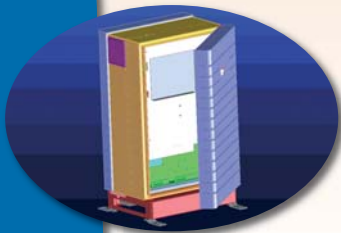


For 40 years the apra group offers perfect enclosure solutions for industrial and 19" application. Whether standard, modified standard or customised parts – whether sheet steel, stainless steel, aluminium or plastics: the apra group provides the adequate advanced manufacturing technology for each quantity from 1 up to 100.000 pieces.

A specific feature is the mixture of materials: extraordinary enclosure solutions are possible due to synergies of metal and plastics production within the apra group. Thus we are able to meet even most challenging requirements.



40 years of experience in enclosure technology predestine us being your qualified contact:



Consulting, design and realisation

- ▶ consulting and technical support – also on site
- ▶ customer-oriented design
- ▶ stereoscopic design proposals

Production

- ▶ flexible and economic production due to modern machinery
- ▶ all manufacturing facilities certified acc. to DIN EN ISO 9001:2008 and DIN EN ISO 14001
- ▶ versatile possibilities for attractive design and ideal usability: powder-coating, liquid coating, silkscreen and pad printing, foils, keypads



System technology and electrical installation

- ▶ complete solutions or subassembly of electrical and electromechanical components to customer's specification; cable packaging
- ▶ operational test: together we compile a check list with all necessary test criteria
- ▶ our enclosures are immediately ready for use: equip, assemble, ready!



Despatch

- ▶ expeditious delivery: standard parts will be supplied within only a few days
- ▶ 24 h despatch service for the worldwide largest range of panel instrument cases



**Quality is our obligation.
Experience and flexibility are our strength!**



apra-norm Elektromechanik GmbH

Gewerbegebiet · D-54552 Mehren/Vulkaneifel · Phone: +49 (0) 65 92 20 4-0
Fax: +49 (0) 65 92 20 4-100 · sales@apra.de · www.apra-norm.com

